

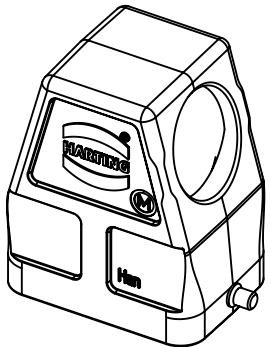
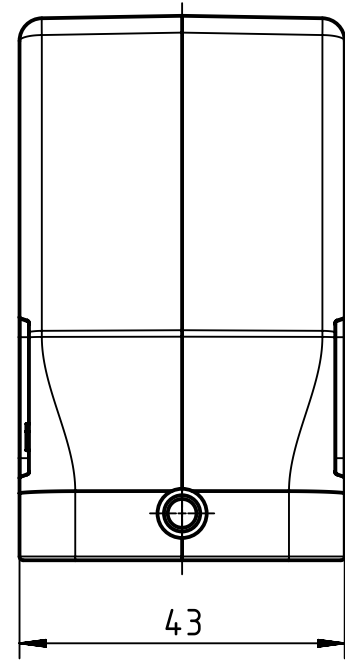
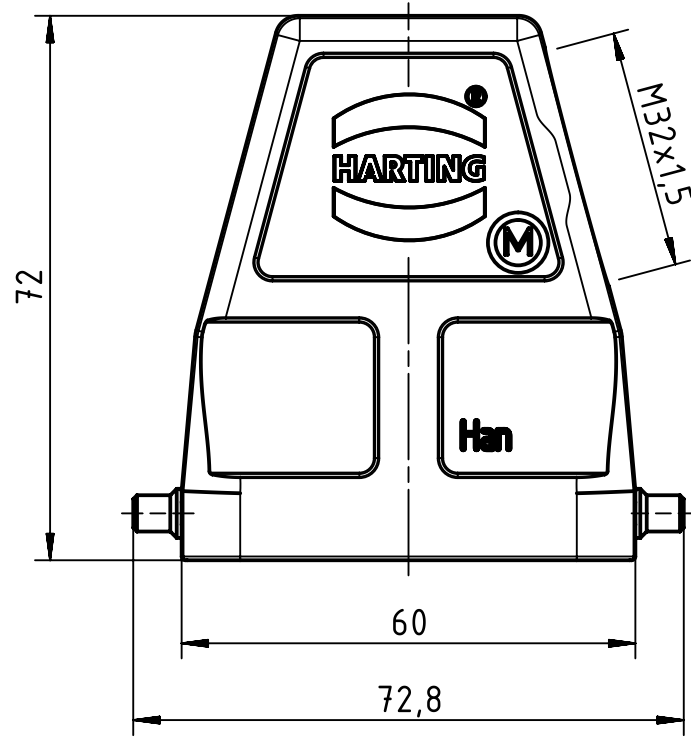
1 2 3 4 5 6

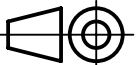

A

B

C

D



 All Dimensions in mm Original Size DIN A4	Scale	Free size tol.			Ref.	
	1:1				Sub.	
 All rights reserved Department EL PD - DE	Created by	Inspected by	Standardisation	Date	State	
	SCHULZI	MOOR	TIEMANNA	2014-10-29	Final Release	
HARTING Electric GmbH & Co. KG D-32339 Espelkamp	Title				Doc-Key / ECM-Nr. 100091900/UGD/005/A 500000081229	
	Han 6EMC/B-HSE-M32 (HT)					
Type		Number			Rev.	Page
TB		19 62 806 0547			A	1/1