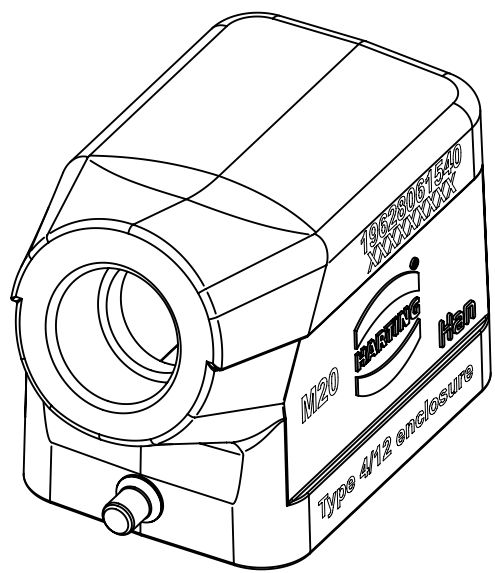
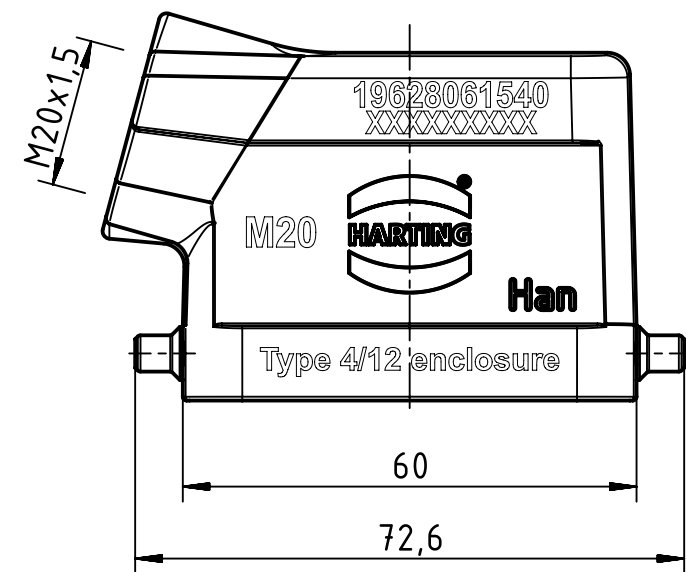
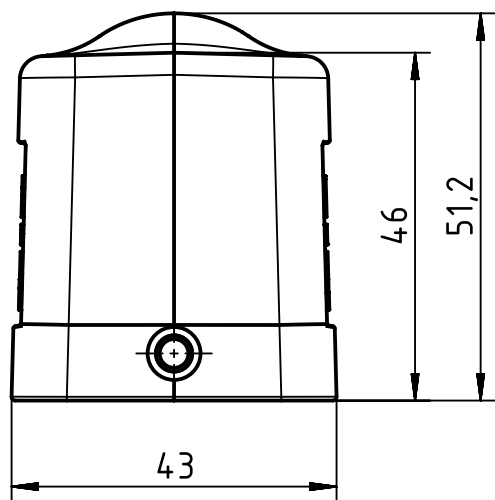


A

B

C

D



	All Dimensions in mm Original Size DIN A4		Scale 1:1	Free size tol.		Ref.
			Created by SPRENB	Inspected by GERB	Standardisation GARSKE	Sub.
All rights reserved Department EL PD		Title Han 6EMC/B-HSE-M20 (HT)		Date 2019-12-06	State Final Release	
HARTING Electric GmbH & Co. KG D-32339 Espelkamp		Type TB		Number 19 62 806 1540		Doc-Key / ECM-Nr. 100178828/UGD/004/E 500000161963
				Rev. E	Page 1/1	