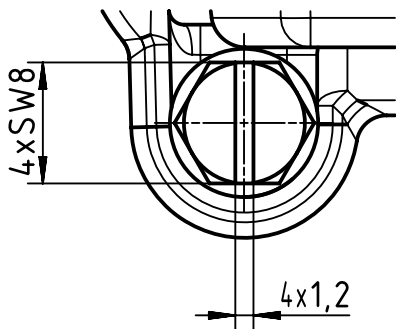





A (2:1)



	All rights reserved		Created by MEYERLE		Inspected by GERB		Standardisation 302077		Date 2021-04-15		State Final Release	
	Department EL PD		Title Han EMC 10 Hood Side Entry PG 29		Doc-Key / ECM-Nr. 100201518/UGD/002/B 500000193148		Type TB		Number 09 62 010 0542		Rev. B	
 All Dimensions in mm Original Size DIN A4			Scale 1:1		Free size tol.		Ref.		Sub.			
 HARTING D-32339 Espelkamp												