

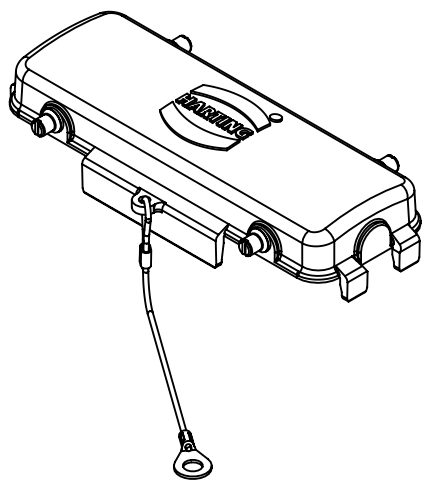
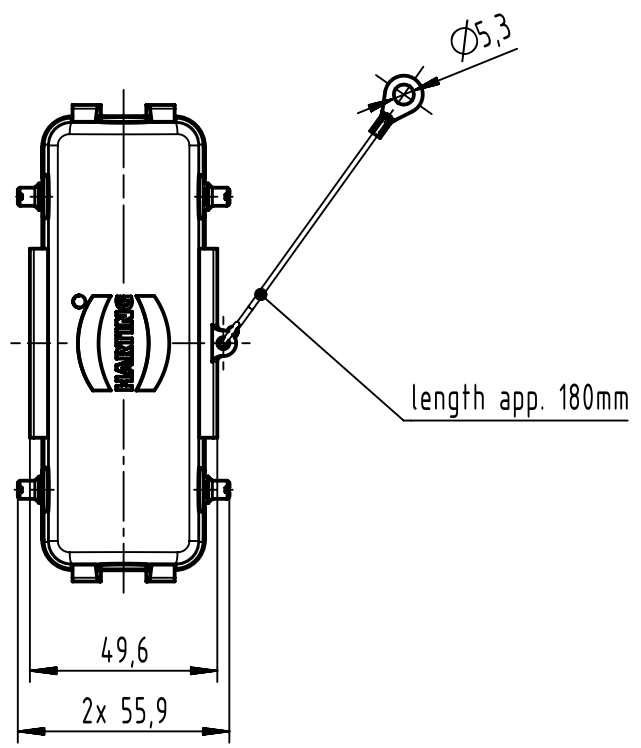
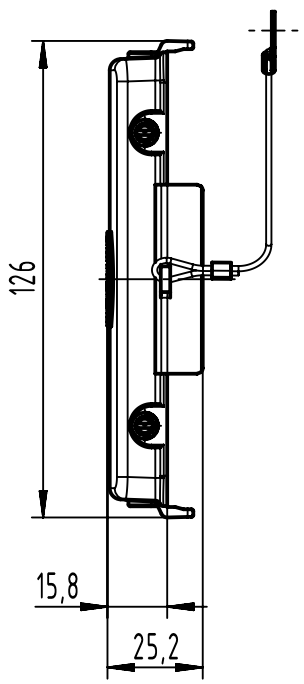
1 2 3 4 5 6


A

B

C

D



| | | | | | | | | | | | |
|---|---|-------------------------------|--|--------------------------|--|-----------------------------|--|--------------------|--|--|--|
|  | All rights reserved Department EL PD | Created by BALSAN | | Inspected by 402625 | | Standardisation SAP_WFRT | | Date 2022-10-20 | | State Final Release | |
| | | Title Han-INOX® 24B C f.DL | | | | | | | | Doc-Key / ECM-Nr. 100876914/UGD/001/B 500000228081 | |
| HARTING D-32339 Espelkamp | | Type TB | | Number 19 44 024 5405 | | | | Rev. B | | Page 1/1 | |