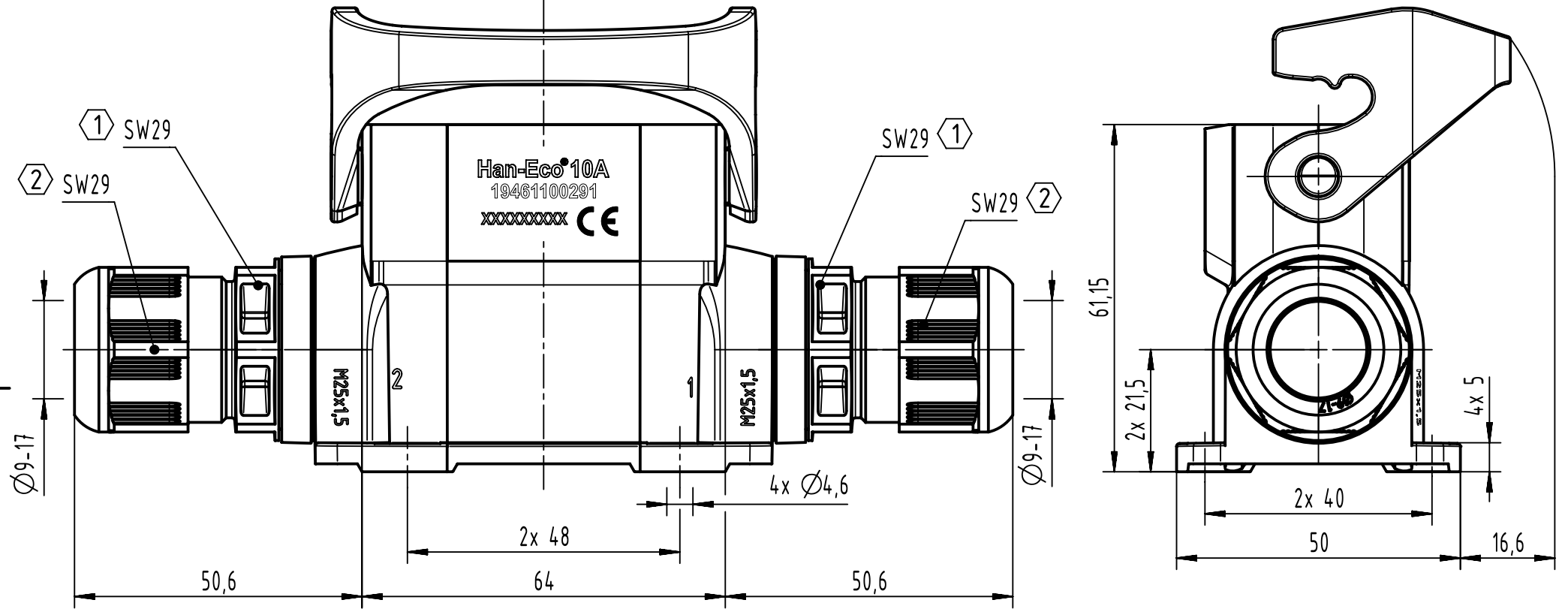
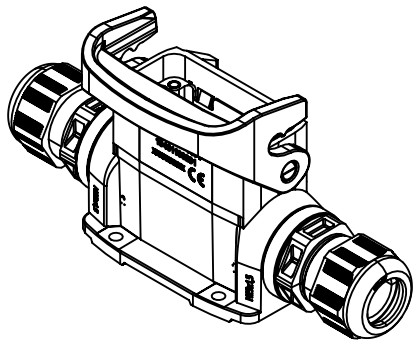



Han-Eco 10A
19461100291
XXXXXXXXX CE



- ① tightening torque max. 10Nm
- ② tightening torque max. 4Nm



	All Dimensions in mm Original Size DIN A4		Scale 1:1	Free size tol.		Ref.	
	All rights reserved Department EL PD		Created by 102700	Inspected by SUNDERMEIER	Standardisation	Date 2021-08-12	State Final Release
HARTING D-32339 Espelkamp		Title Han-Eco 10A-HSM2-M25 w. cable gl.				Doc-Key / ECM-Nr. 100602304 / UGD/001/F 500000201021	
		Type TB	Number 19 46 110 0291			Rev. F	Page 1/1