

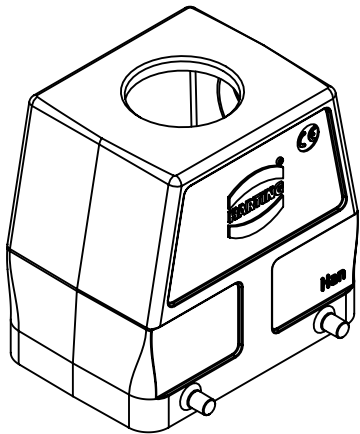
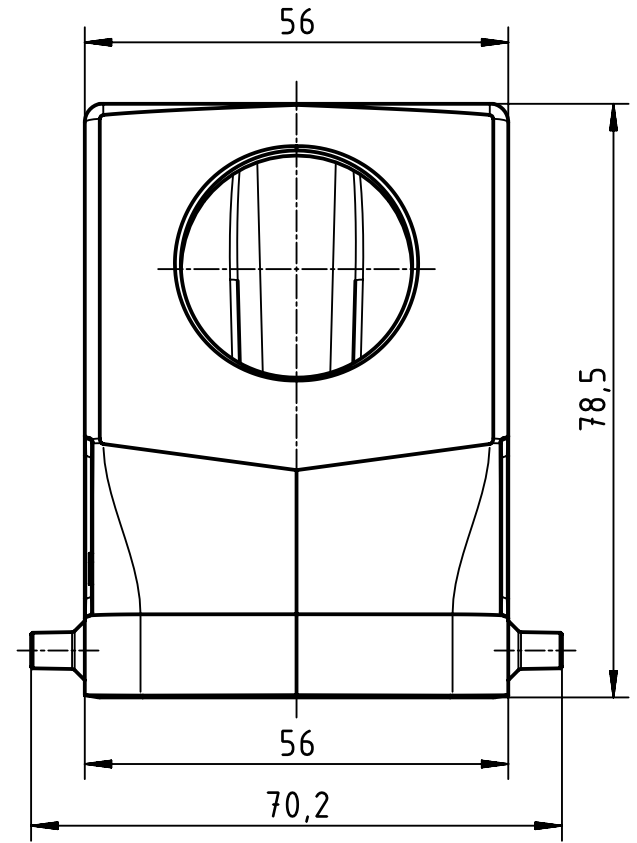
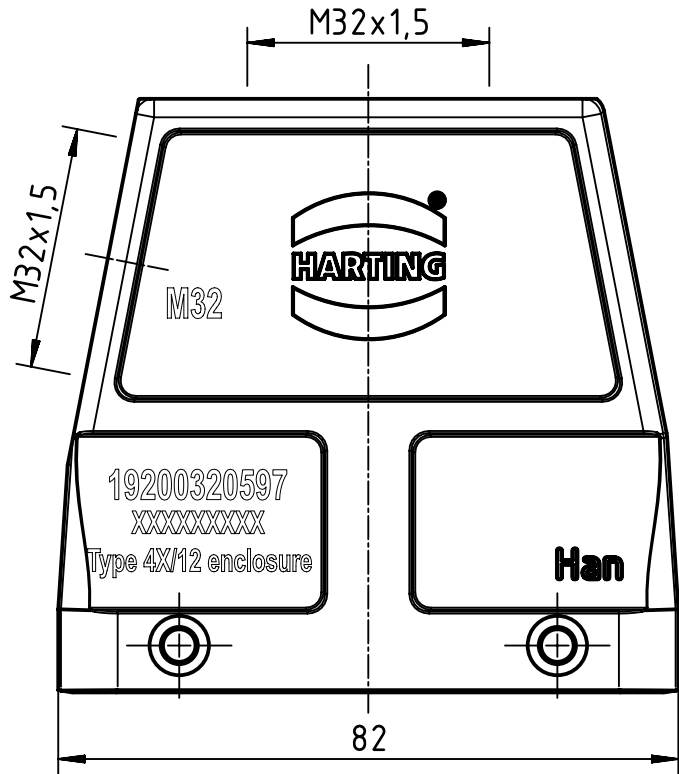
1 2 3 4 5 6

A

B

C

D



	All Dimensions in mm Original Size DIN A4		Scale 1:1	Free size tol.		Ref.		
						Sub.		
	All rights reserved		Created by 00103855	Inspected by GERB	Standardisation GARSKE	Date 2020-04-28	State Final Release	
	Department EL PD		Title Han 32A-HTE/HSE-M32				Doc-Key / ECM-Nr. 100804325/UGD/007/B 500000171130	
HARTING Electric GmbH & Co. KG D-32339 Espelkamp			Type TB	Number 19 20 032 0597			Rev. B	Page 1/1