

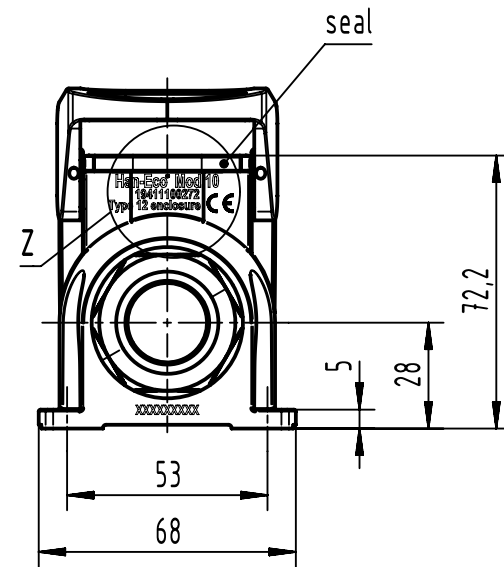
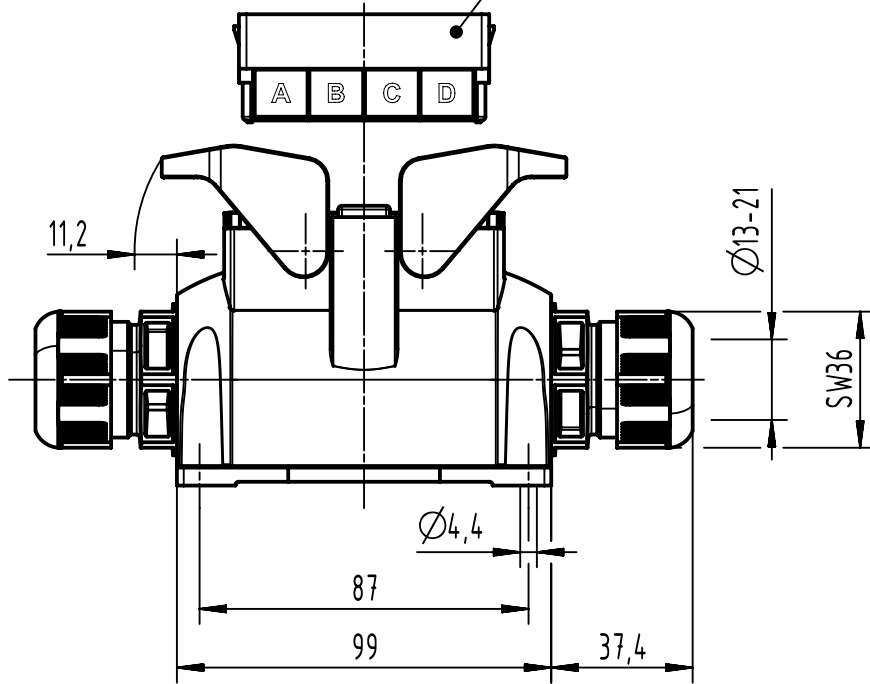
A

B

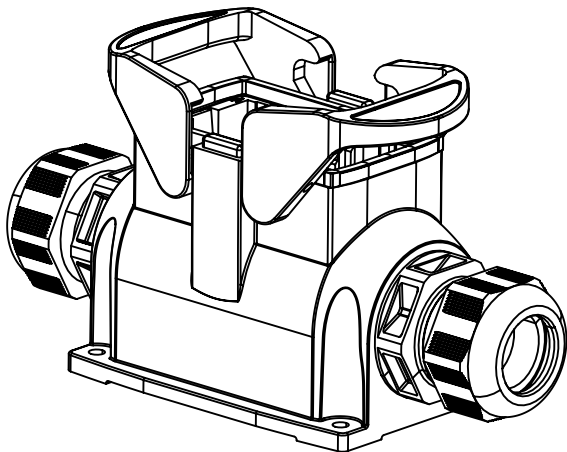
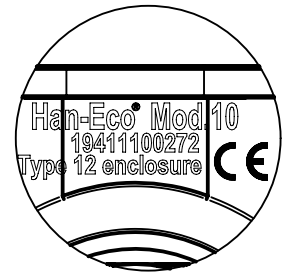
C

D

adapter frame



Z (1:1)



adapter frame and cable glands are enclosed

	All Dimensions in mm Original Size DIN A4		Scale 1:2	Free size tol.		Ref.		
						Sub.		
	All rights reserved		Created by BALSAN	Inspected by 402602	Standardisation 302077	Date 2021-02-23	State Final Release	
	Department EL PD		Title Han-Eco Mod.10-HSM2-M32-glanded				Doc-Key / ECM-Nr. 100222558/UGD/004/F 500000189866	
HARTING D-32339 Espelkamp			Type TB	Number 19 41 110 0272			Rev. F	Page 1/1