

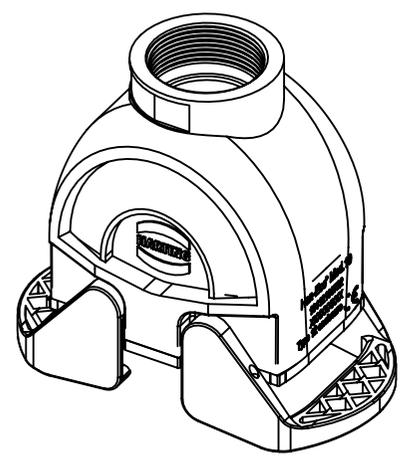
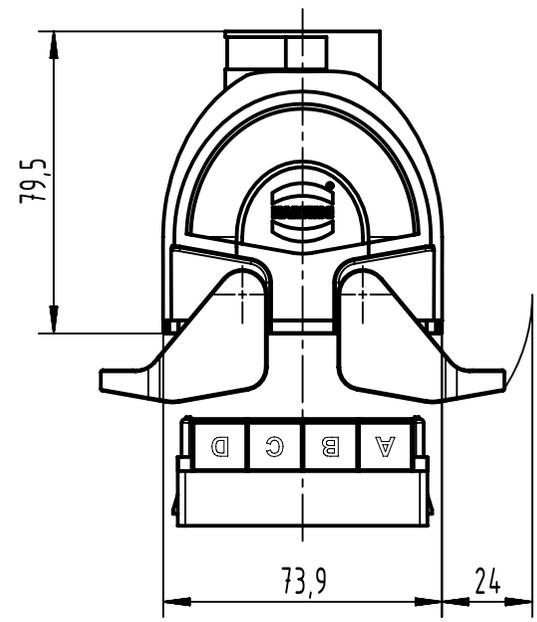
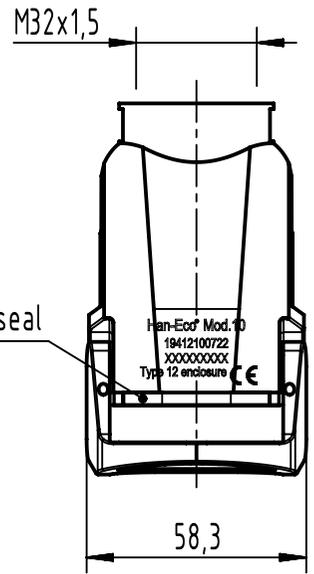
1 2 3 4 5 6

A

B

C

D



	All Dimensions in mm Original Size DIN A4		Scale 1:2	Free size tol.		Ref.		
						Sub.		
	All rights reserved		Created by BALSAN	Inspected by 402602	Standardisation 302077	Date 2021-03-05	State Final Release	
	Department EL PD		Title Han-Eco Mod.10 Outd.-HCC-M32				Doc-Key / ECM-Nr. 100213389/UGD/005/E 500000190250	
HARTING D-32339 Espelkamp			Type TB	Number 19 41 210 0722			Rev. E	Page 1/1