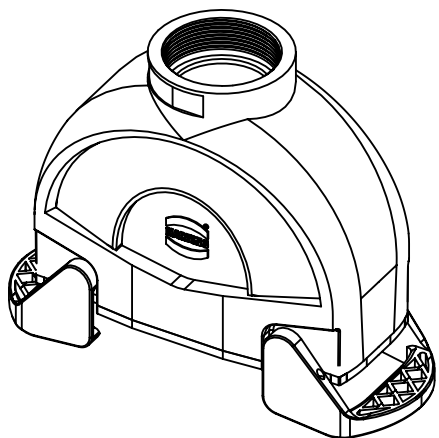
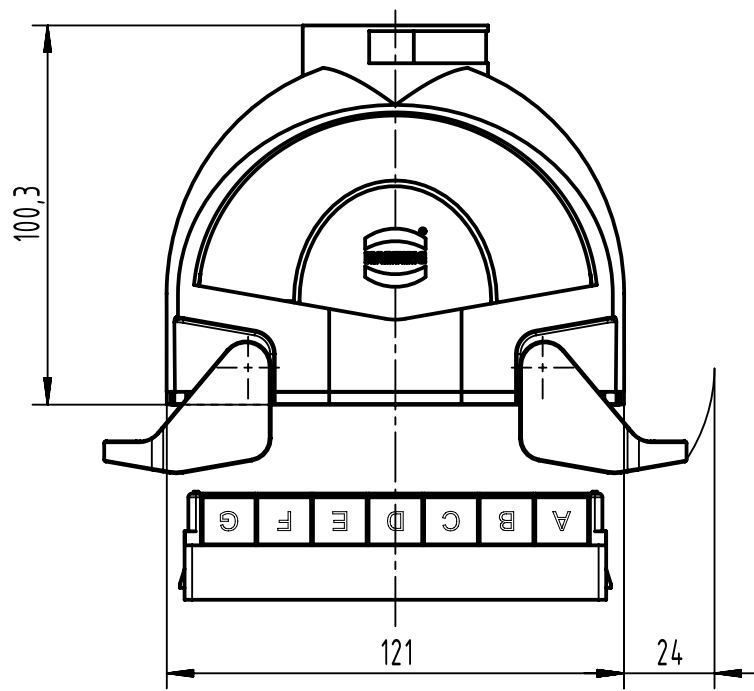
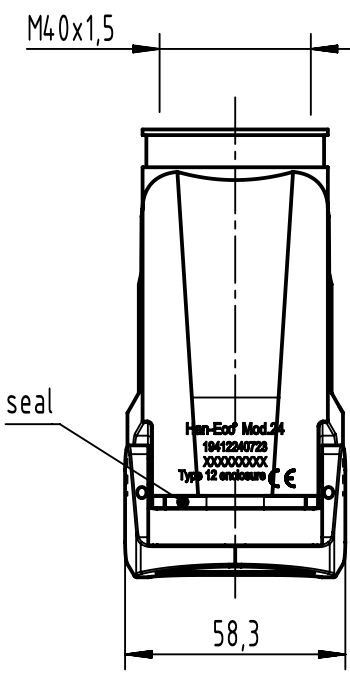



A

B

C

D



	All rights reserved Department EL PD	All Dimensions in mm Original Size DIN A4	Scale 1:2	Free size tol.	Ref.	
		HARTING D-32339 Espelkamp	Created by 402918	Inspected by 402602	Standardisation 302077	Date 2021-03-12
Title Han-Eco Mod.24 Outd.-HCC-M40					Doc-Key / ECM-Nr. 100213391/UGD/005/E 500000190515	
		Type TB	Number 19 41 224 0723		Rev. E	Page 1/1