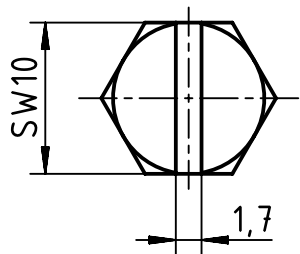
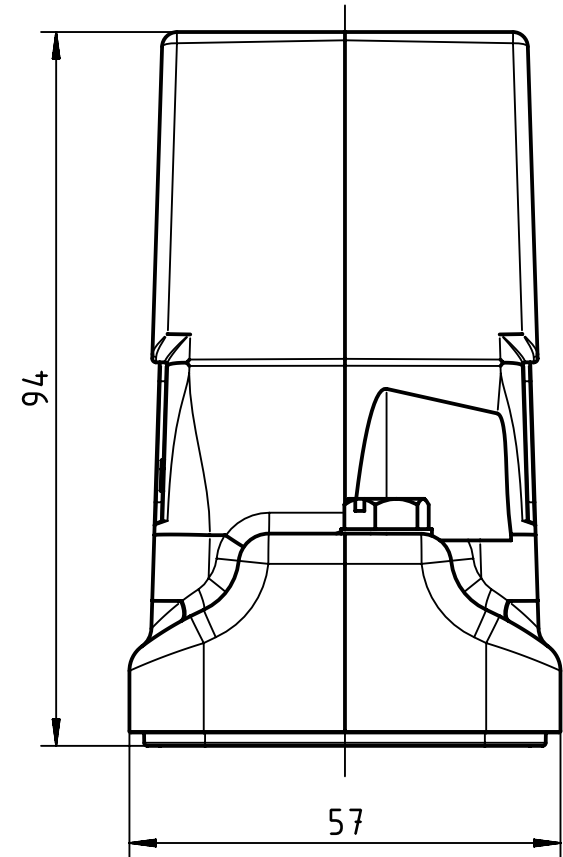
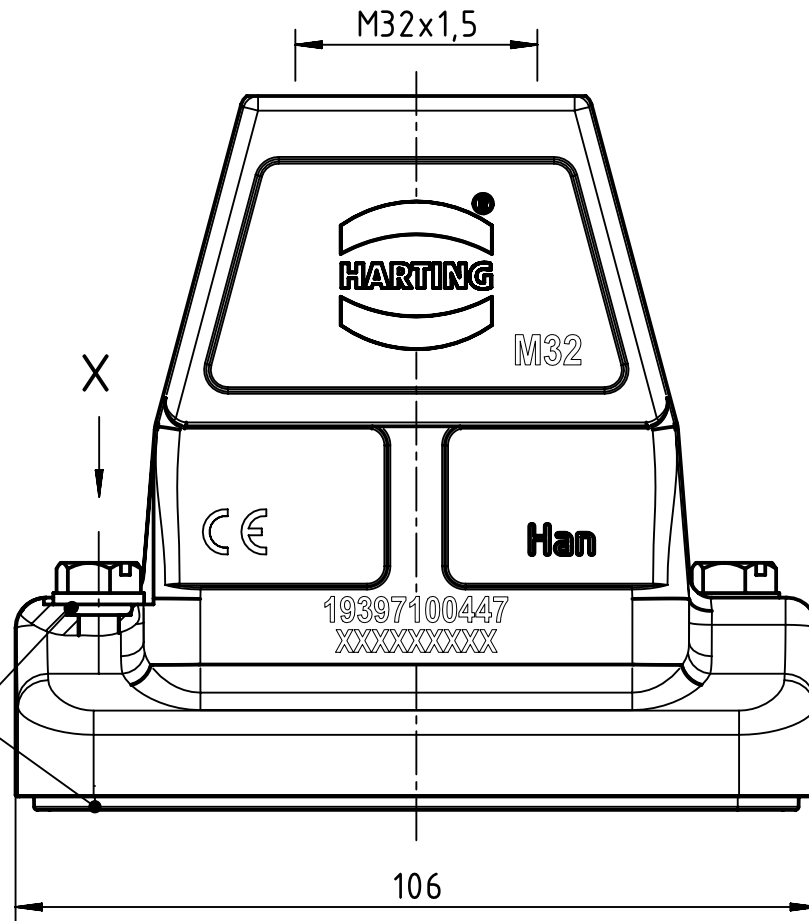
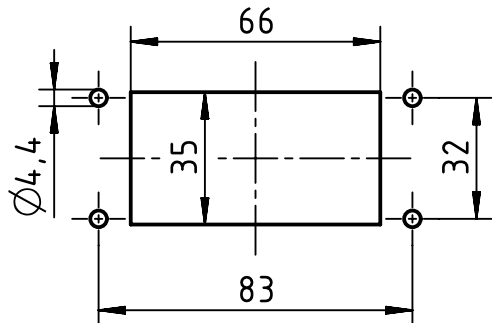


X (2:1)



Panel cut out (1:2)



| | | | | | | | |
|--|--|------------------------------------|--------------------------|----------------------|---------------------------|--|------------------------|
| | All Dimensions in mm Original Size DIN A4 | | Scale 1:1 | Free size tol. | | Ref. | |
| | All rights reserved | | Created by ZHUANGJ | Inspected by LUOK | Standardisation 302077 | Date 2021-02-23 | State Final Release |
| Department EL PD | | Title Han 10HP Direct/M-HTE-M32 | | | | Doc-Key / ECM-Nr. 100663880/UGD/004/F 500000187461 | |
| HARTING (Zhuhai) Manufacturing Co., Ltd. 519085 Zhuhai, China | | Type TB | Number 19 39 710 0447 | | | Rev. F | Page 1/1 |