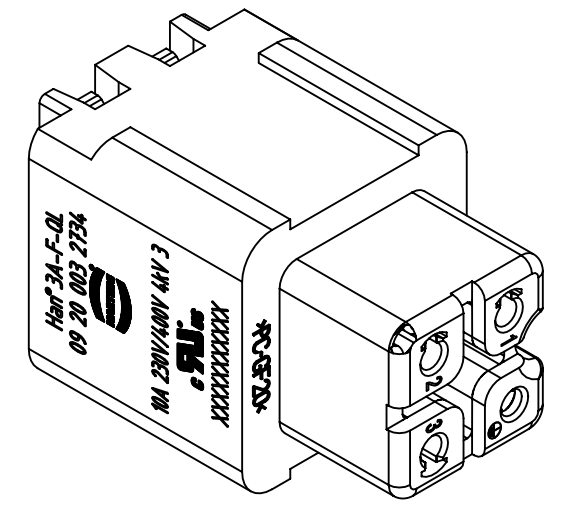
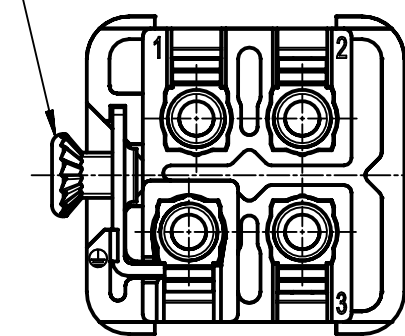



insert fixing screw M3x6 enclosed separately



	All rights reserved		Created by HOLLERT		Inspected by NICHTERLEIN		Standardisation 302077		Date 2020-10-29		State Final Release	
	Department EL PD		Title Han 3A female insert Quick-Lock 1,5mm ²		Number 09 20 003 2734		Doc-Key / ECM-Nr. 100216034/UGD/002/F 500000169457		Rev. F		Page 1/1	
HARTING Electric GmbH & Co. KG D-32339 Espelkamp			All Dimensions in mm Original Size DIN A4			Scale 2:1 Free size tol.			Ref. Sub.			