

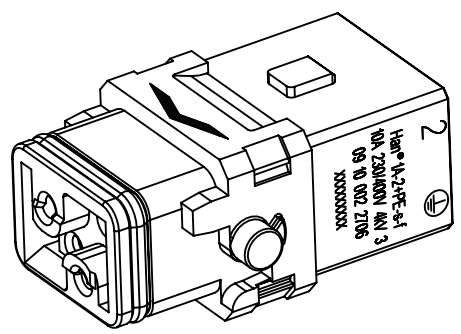
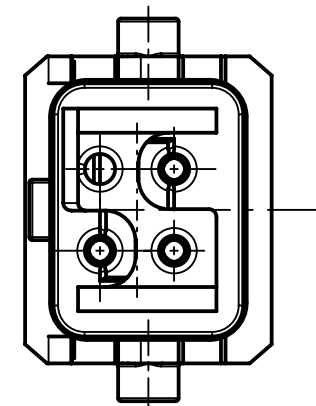
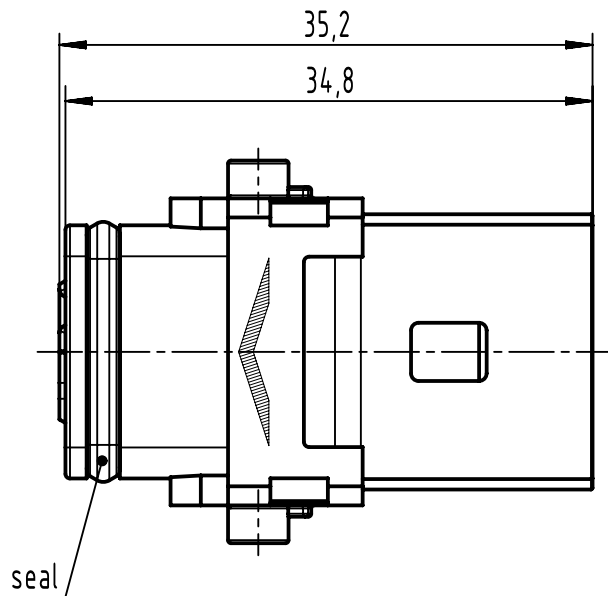
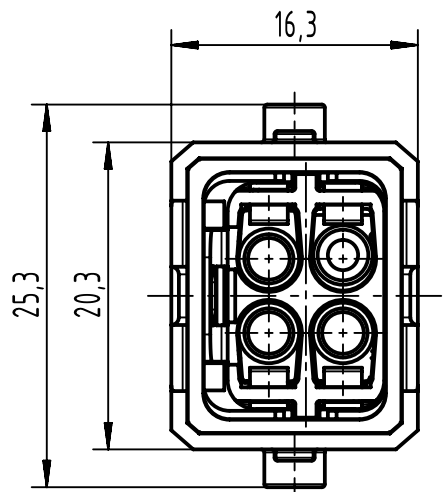
1 2 3 4 5 6

A

B

C

D



	All Dimensions in mm Original Size DIN A4		Scale 2:1	Free size tol.		Ref.
			Created by HOLLERT	Inspected by HERBRECHTSME	Standardisation	Sub.
All rights reserved Department EL PD		Title Han 1A-2+PE-s-f		Date 2021-09-24	State Final Release	
HARTING D-32339 Espelkamp		Type TB		Number 09 10 002 2706		Doc-Key / ECM-Nr. 100740381/UGD/001/F 500000196011
					Rev. F	Page 1/1