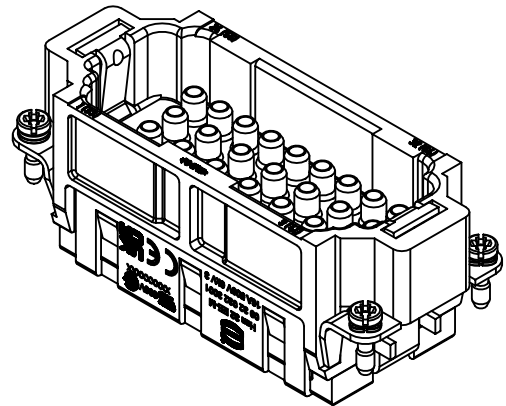
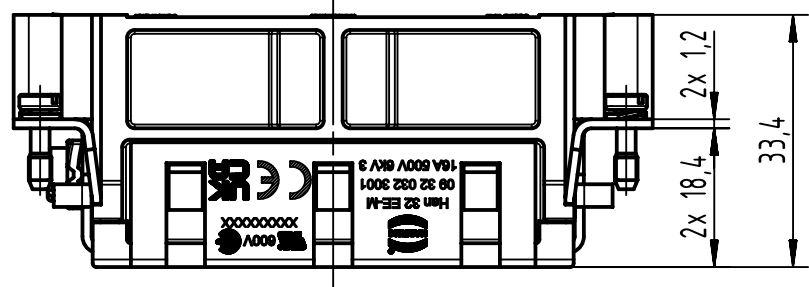
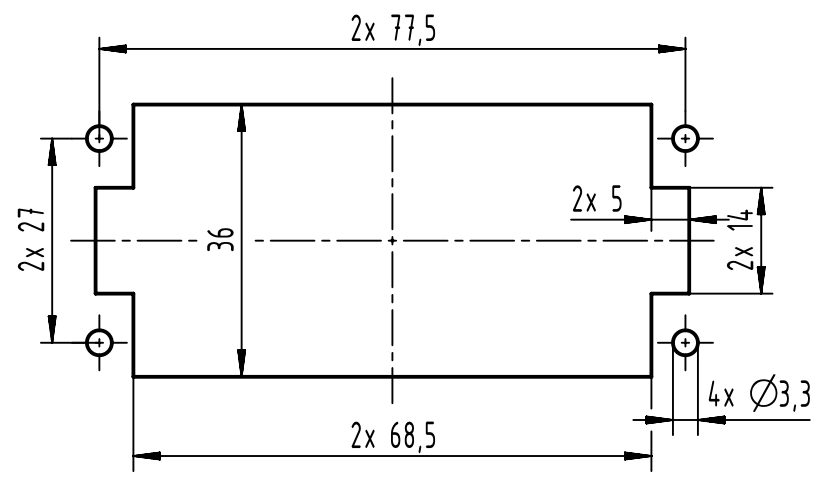


panel cut out



	All Dimensions in mm Original Size DIN A4		Scale 1:1	Free size tol.		Ref. Sub.	
		All rights reserved Department EL PD		Created by 402918	Inspected by 402602	Standardisation	Date 2021-11-08
HARTING D-32339 Espelkamp		Title Han 32EE CRIMP TERM INSERT MALE				Doc-Key / ECM-Nr. 100129857/UGD/008/D 500000204.753	
		Type TB	Number 09 32 032 3001		Rev. D		Page 1/1