

1 2 3 4 5 6

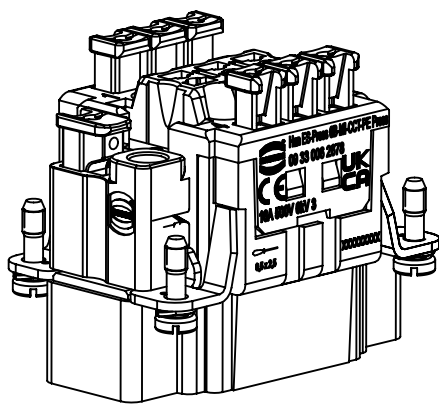
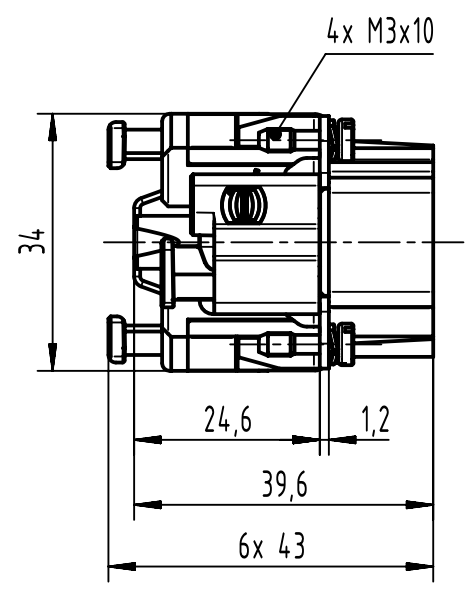
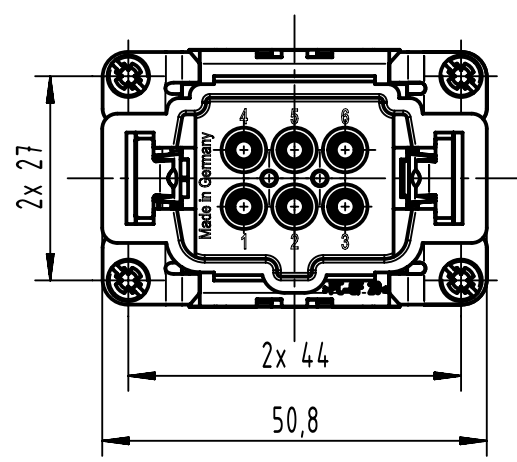
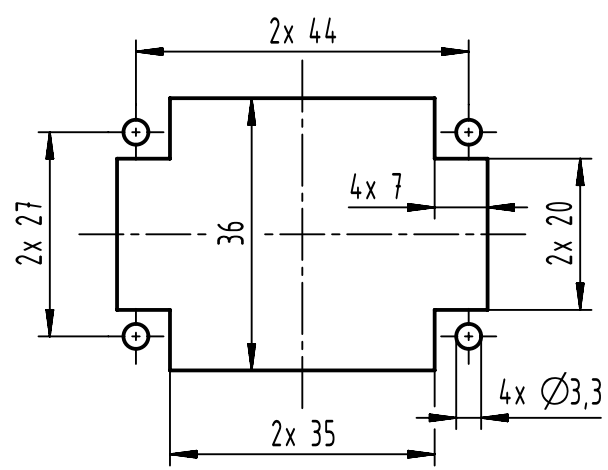
A


B

C

D

panel cut out



	All rights reserved		Created by LONGL		Inspected by DINGB		Standardisation ROEBEN		Date 2022-05-24		State Final Release	
	Department EL PD		Title Han 6ES-Press-SMC-MI-CCT-PE Press		Number 09 33 006 2678		Doc-Key / ECM-Nr. 100923252/UGD/001/D 500000218196		Rev. D		Page 1/1	
HARTING D-32339 Espelkamp			All Dimensions in mm Original Size DIN A4		Scale 1:1		Free size tol.		Ref.		Sub.	