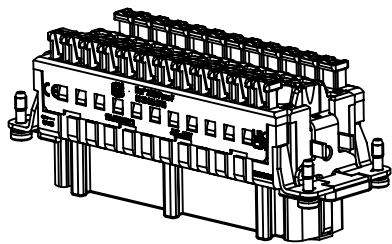
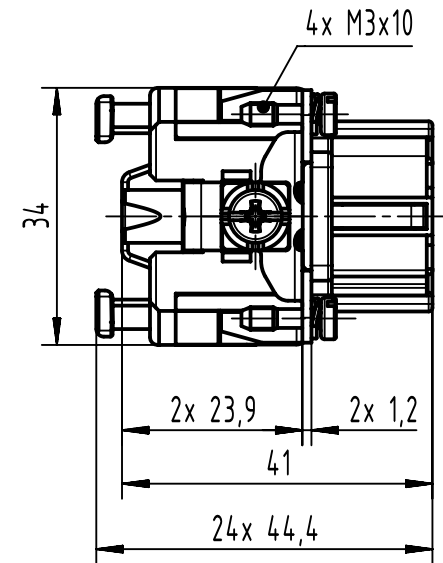
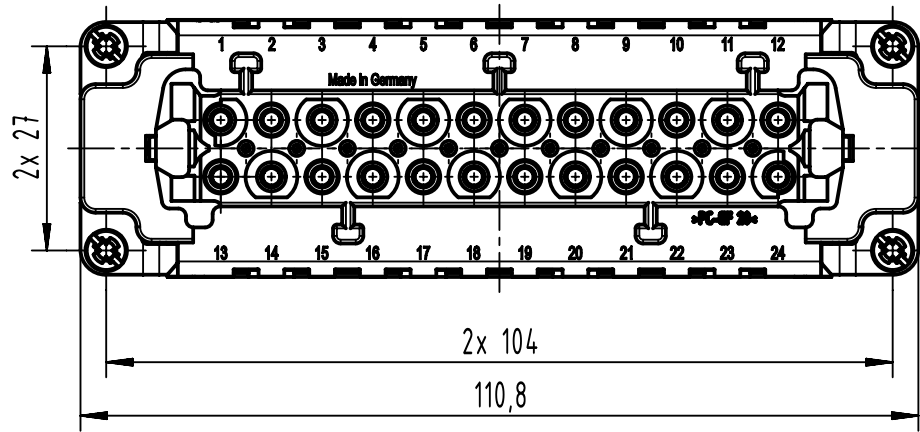
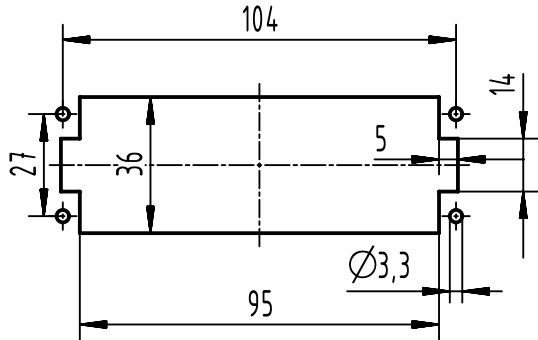


panel cut out
(1:2)



| | | | | | | |
|------------------------------|--|--|---------------------------|--------------------------|-----------------------------|--|
| | All Dimensions in mm Original Size DIN A4 | | Scale 1:1 | Free size tol. | | Ref. |
| | | | | | | Sub. |
| | All rights reserved | | Created by SPRENB | Inspected by RUETERA | Standardisation SAP_WFRT | Date 2022-03-14 |
| | Department EL PD | | Title Han 24ES Press-F | | | State Final Release |
| HARTING D-32339 Espelkamp | | | Type TB | Number 09 33 024 2748 | | Doc-Key / ECM-Nr. 100616966/UGD/001/F 500000213238 |
| | | | | | Rev. F | Page 1/1 |