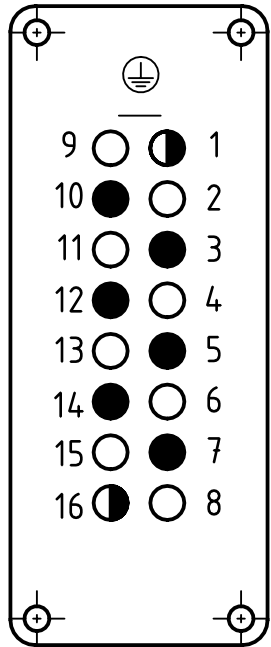
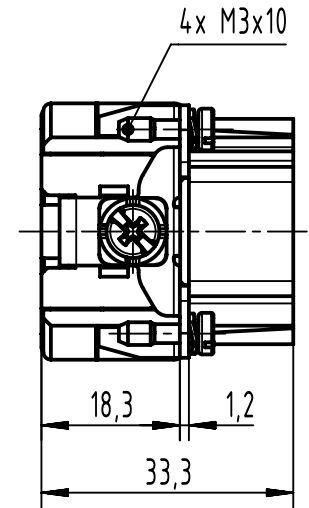
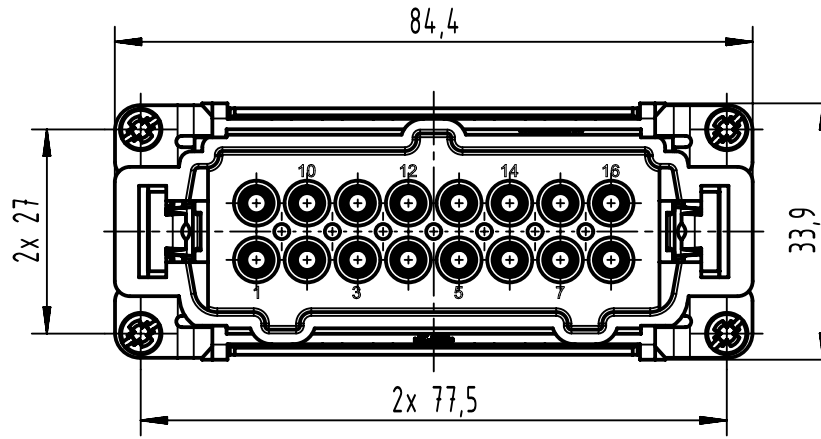


1 2 3 4 5 6

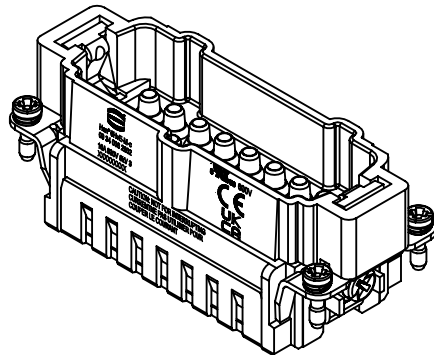
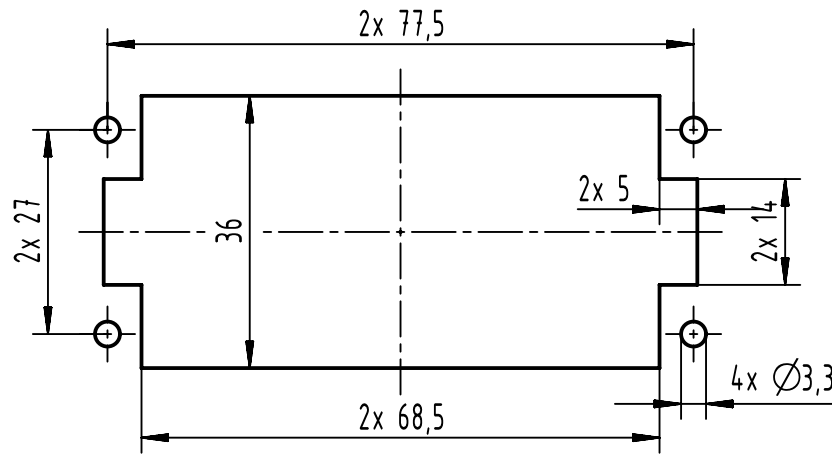
contact arrangement
(view from termination side)



- working contacts
- ◐ relay contacts
- without contacts



panel cut out



	All rights reserved		Created by HOLLERT		Inspected by SCHNIEDER		Standardisation		Date 2023-11-22		State Final Release	
	Department EL PD		Title Han 6HvE-M-c		Number 09 34 006 2602		Doc-Key / ECM-Nr. 100124724/UGD/005/D 500000258080		Rev. D		Page 1/1	
HARTING D-32339 Espelkamp			All Dimensions in mm Original Size DIN A4			Scale 1:1 Free size tol.		Ref. Sub.				