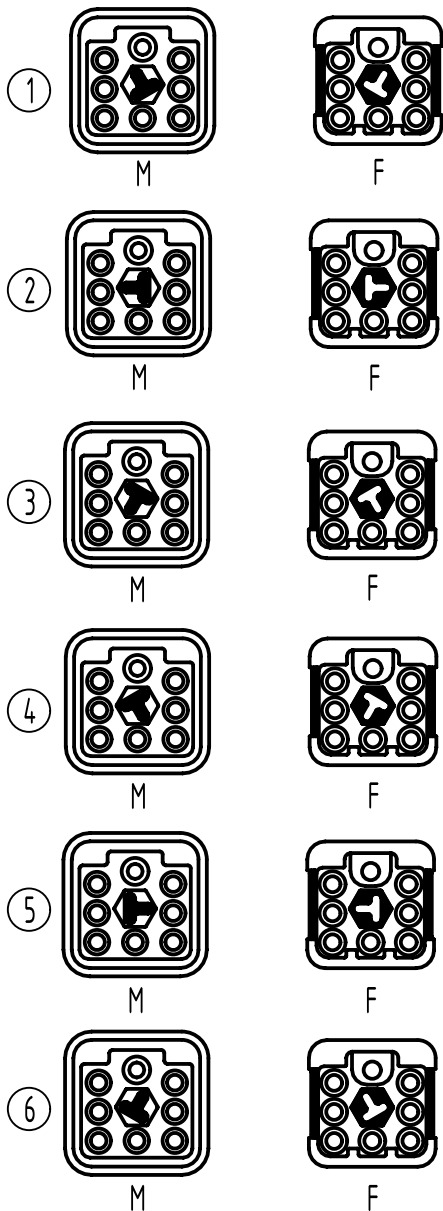
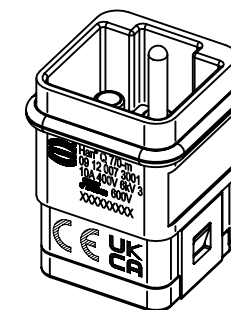
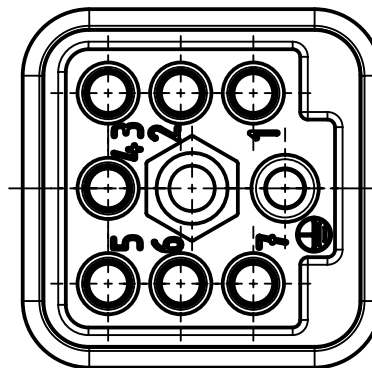
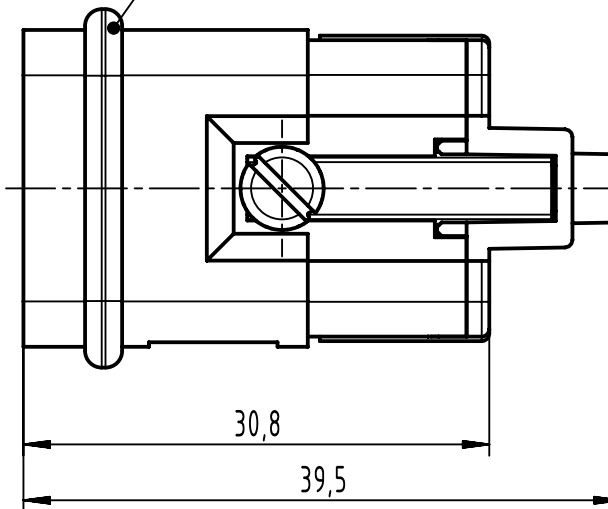
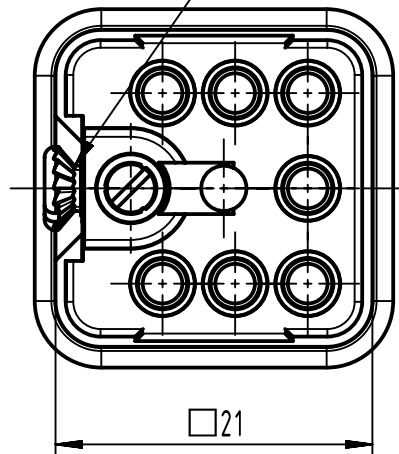



coding possibilities with  
coding pin 09 12 000 9901



insert fixing screw is  
enclosed separately

seal



|   |   |  |                          |                 |  |                        |
|---|---|--|--------------------------|-----------------|--|------------------------|
|  | All rights reserved<br>Department EL PD | All Dimensions in mm<br>Original Size DIN A4 |                          | Scale<br>2:1    | Free size tol.   | Ref.<br>Sub.           |
|   |   | Created by<br>CELMARE                        | Inspected by<br>BALSAN   | Standardisation | Date<br>2023-10-20                                       | State<br>Final Release |
| HARTING<br>D-32339 Espelkamp  |   | Title<br>Han Q 7/0-M                         |                          |                 | Doc-Key / ECM-Nr.<br>100132517/UGD/007/E<br>500000255932 |                        |
|   |   | Type<br>TB                                   | Number<br>09 12 007 3001 |                 | Rev.<br>E  | Page<br>1/1            |