

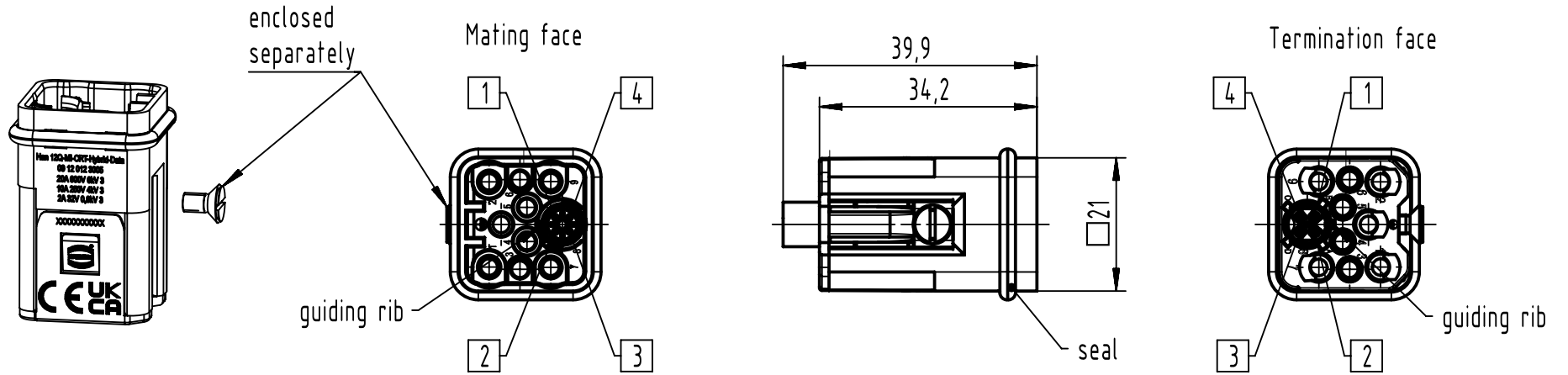
1 2 3 4 5 6

A

B

C

D



	All Dimensions in mm Original Size DIN A4		Scale 1:1	Free size tol.		Ref.
						Sub.
	All rights reserved		Created by HUK	Inspected by WANGSTE	Standardisation ROEBEN	Date 2023-02-08
	Department EL PD					State Final Release
HARTING			Title Han 12Q-MI-CRT-Hybrid - Data			Doc-Key / ECM-Nr. 100964219/UGD/001/C 500000236949
D-32339 Espelkamp			Type TB	Number 09 12 012 3005		Rev. <b>C</b> Page 1/1