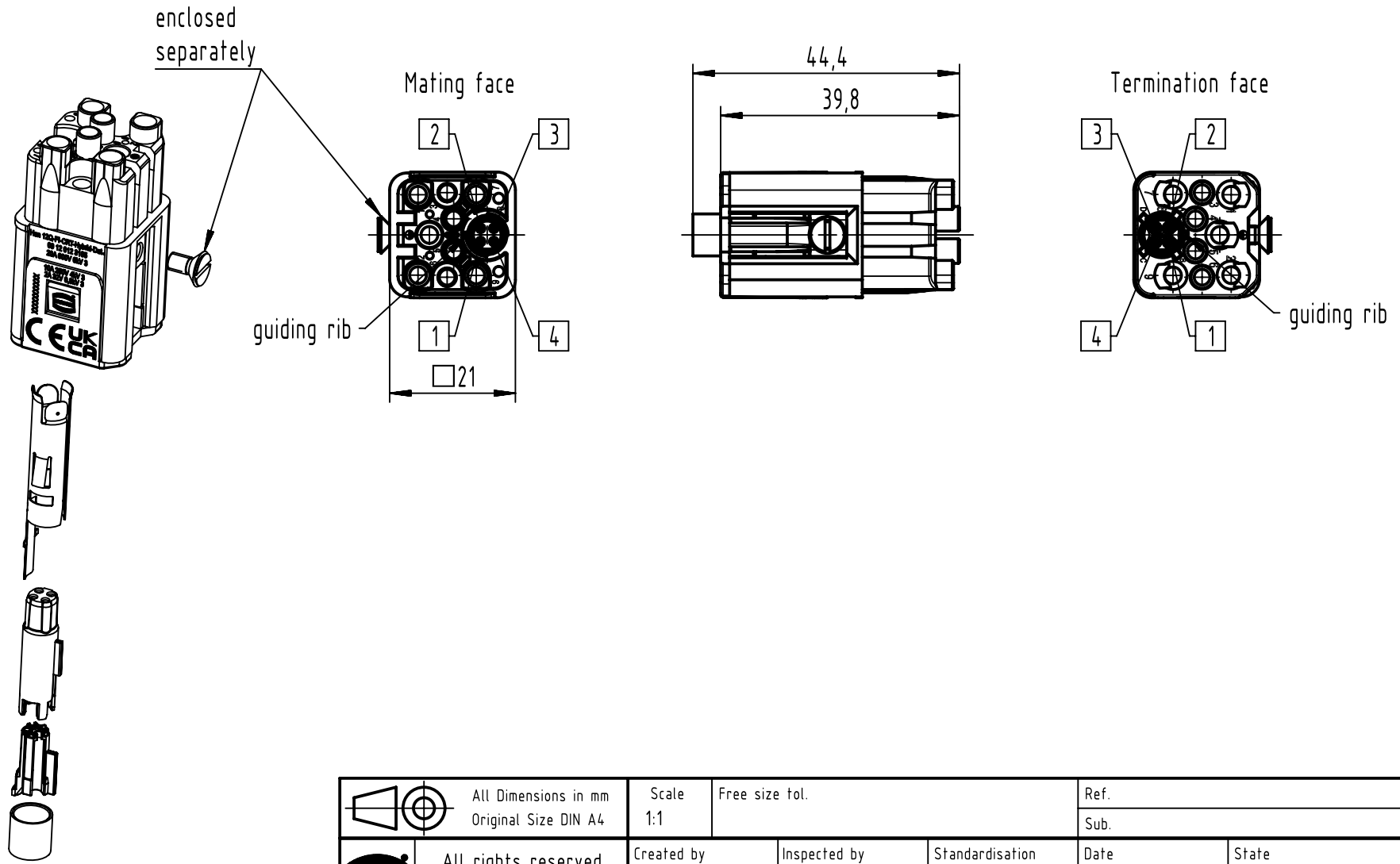


1 2 3 4 5 6

A  
B  
C  
D



	All Dimensions in mm Original Size DIN A4		Scale 1:1	Free size tol.		Ref.		
						Sub.		
	All rights reserved		Created by HUK	Inspected by WANGSTE	Standardisation ROEBEN	Date 2023-02-08	State Final Release	
	Department EL PD		Title Han 12Q-FI-CRT - Hybrid - Data				Doc-Key / ECM-Nr. 100964220/UGD/001/C 500000236949	
HARTING D-32339 Espelkamp			Type TB	Number 09 12 012 3105			Rev. C	Page 1/1