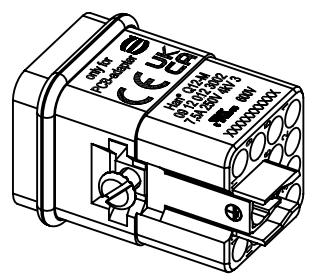
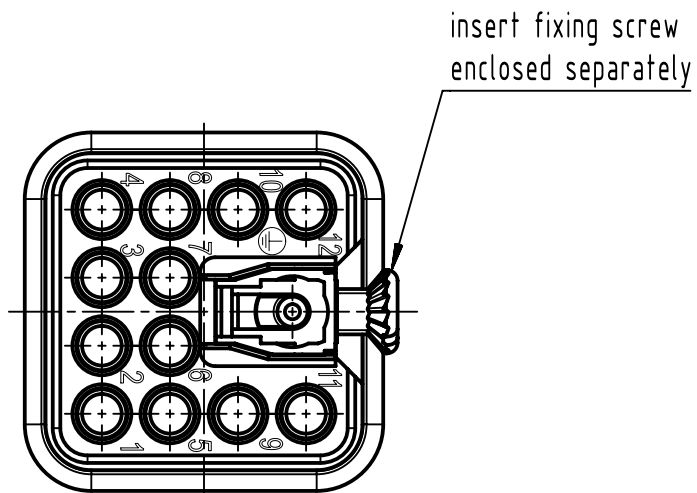
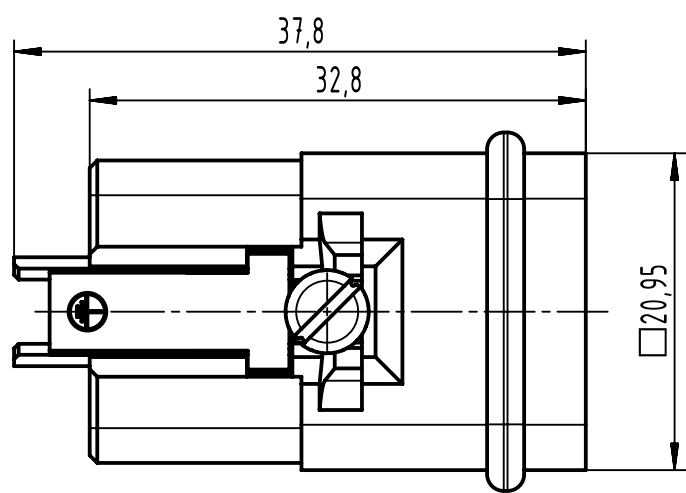
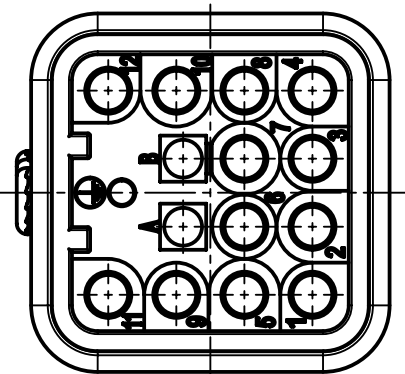
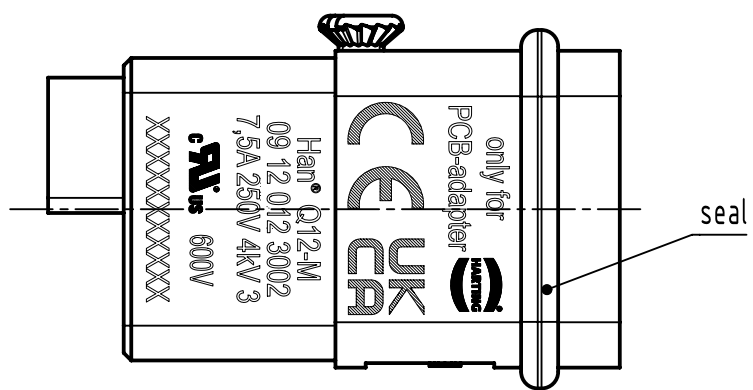


A

B

C

D



All Dimensions in mm Original Size DIN A4		Scale 2:1	Free size tol.		Ref.
All rights reserved Department EL PD	Created by 100887	Inspected by SUNDERMEIER	Standardisation	Date 2022-10-28	State Final Release
	Title Han Q12-M for PCB-Adapter				Doc-Key / ECM-Nr. 100185041/UGD/006/B 500000225850
HARTING D-32339 Espelkamp		Type TB	Number 09 12 012 3002		Rev. B Page 1/1