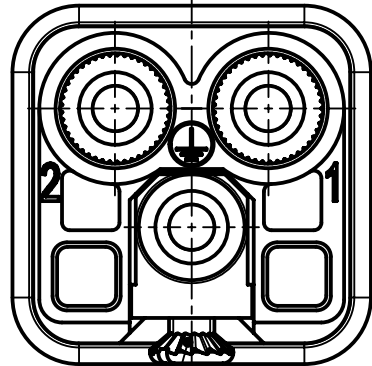


A

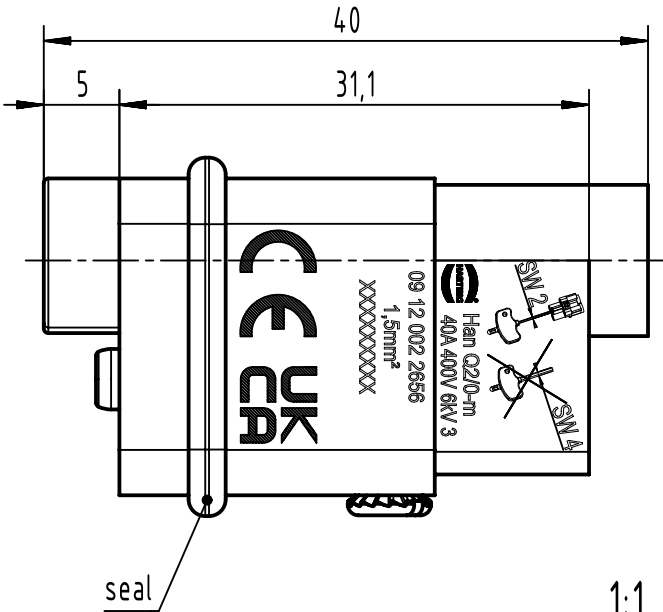
B

C

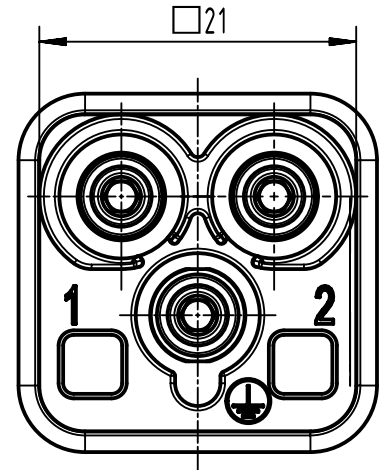
D



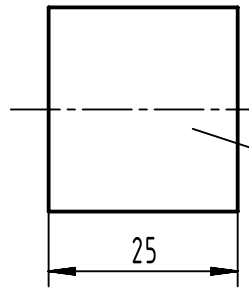
insert fixing screw M3x6 enclosed separately



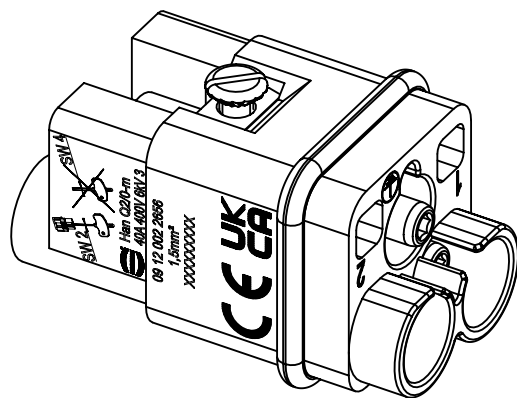
seal



1:1



shrinking tube enclosed separately



	All Dimensions in mm Original Size DIN A4		Scale 2:1	Free size tol.		Ref.
						Sub.
	All rights reserved		Created by 100887	Inspected by SUNDERMEIER	Standardisation	Date 2022-10-28
	Department EL PD		Title Han Q 2/0-m HV 1.5sqmm			State Final Release
HARTING D-32339 Espelkamp			Type TB	Number 09 12 002 2656		Doc-Key / ECM-Nr. 100585450/UGD/002/D 500000225850
					Rev. D	Page 1/1