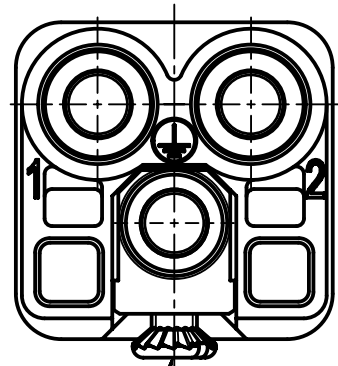


A

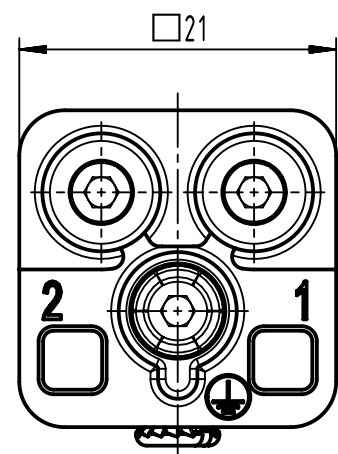
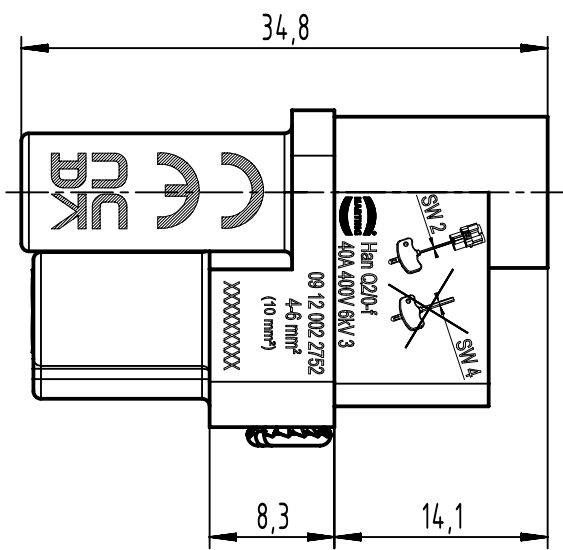
B

C

D

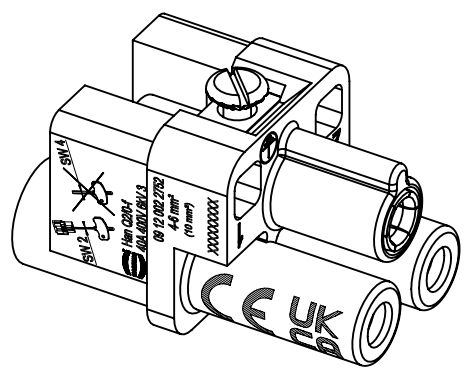
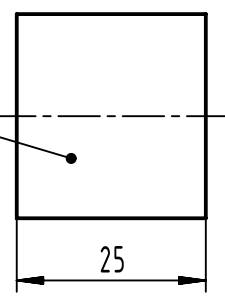


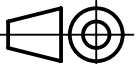

insert fixing screw M3x6 enclosed separately



1:1

shrink tubing enclosed separately



	All Dimensions in mm Original Size DIN A4		Scale 2:1	Free size tol.		Ref.	
	 All rights reserved Department EL PD		Created by 100887	Inspected by SUNDERMEIER	Standardisation	Sub.	
HARTING D-32339 Espelkamp		Title Han Q 2/0-bu HV 4-6 mm ² (10 mm ² opt.)				Date 2022-10-28	State Final Release
		Type TB	Number 09 12 002 2752			Doc-Key / ECM-Nr. 100108692/UGD/007/B 500000225850	Rev. B Page 1/1