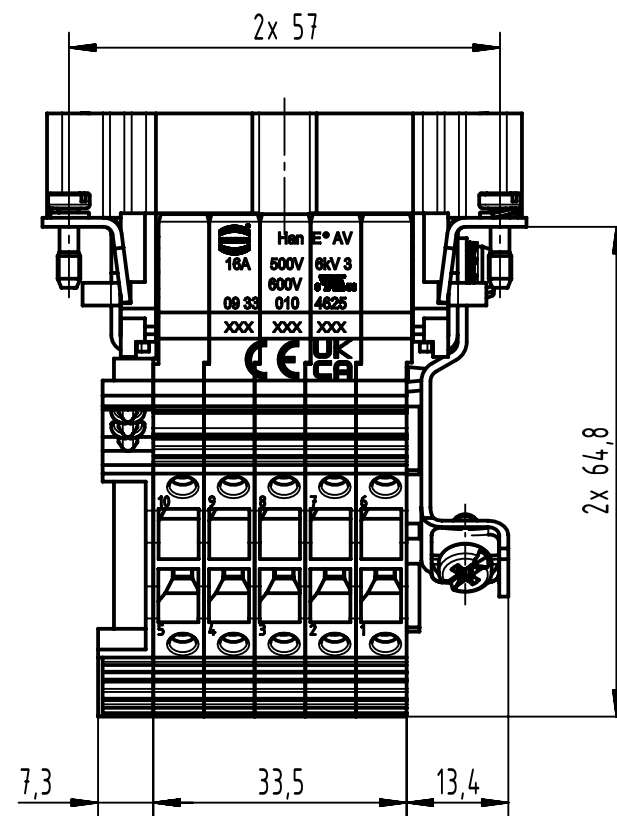
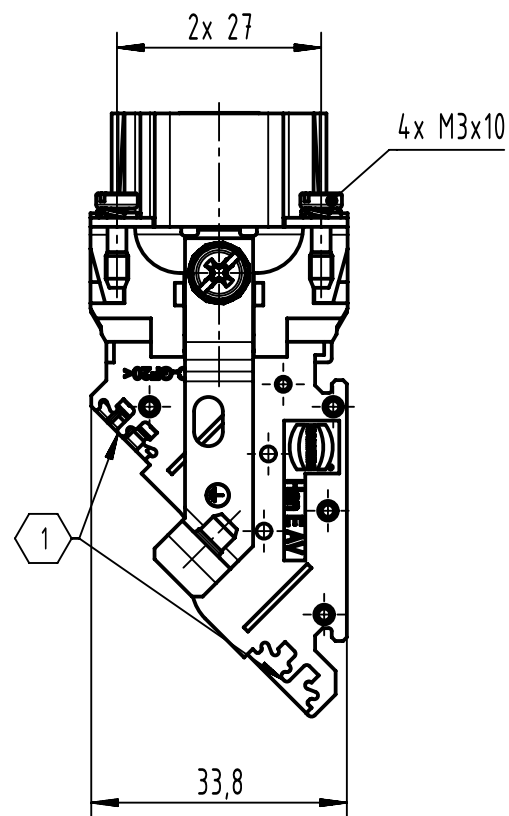
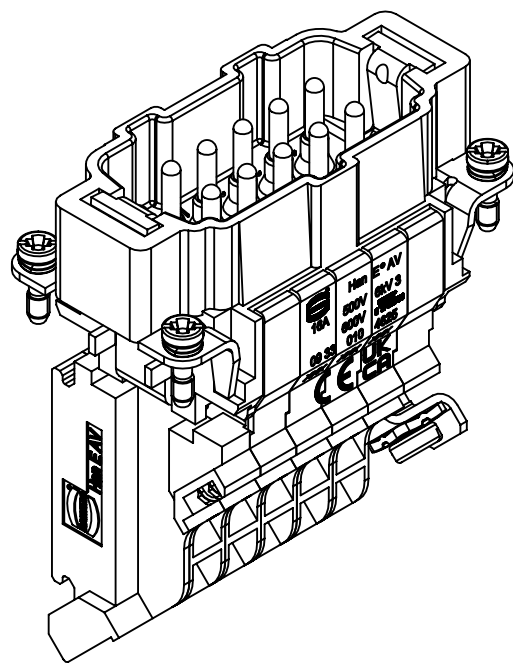


1 2 3 4 5 6

A
B
C
D



1 Slots for designation strips (max. 6 digits)

	All Dimensions in mm Original Size DIN A4		Scale 1:1	Free size tol.		Ref.
						Sub.
	All rights reserved		Created by LUPU	Inspected by 402602	Standardisation	Date 2022-11-25
	Department EL PD		Title Han E AV 10 Pos. M Insert Term. Block Le			State Final Release
HARTING D-32339 Espelkamp			Type TB	Number 09 33 010 4625		Doc-Key / ECM-Nr. 100130200/UGD/006/E 500000231227
					Rev. E	Page 1/1