

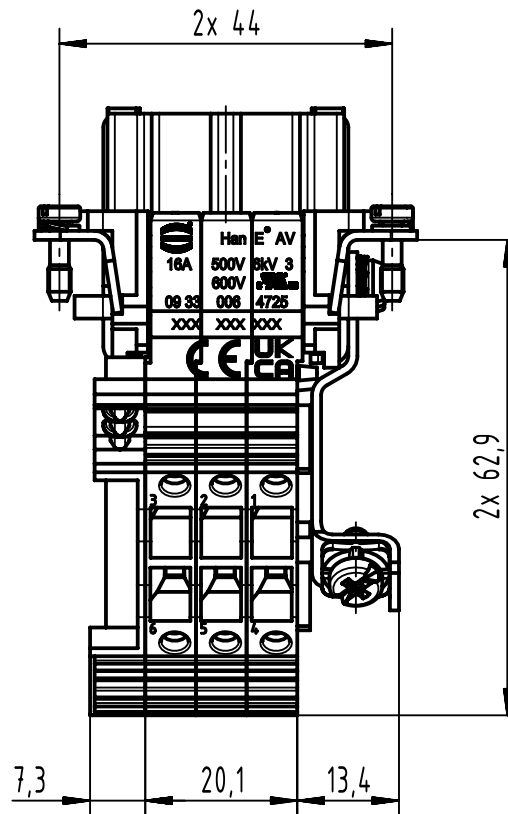
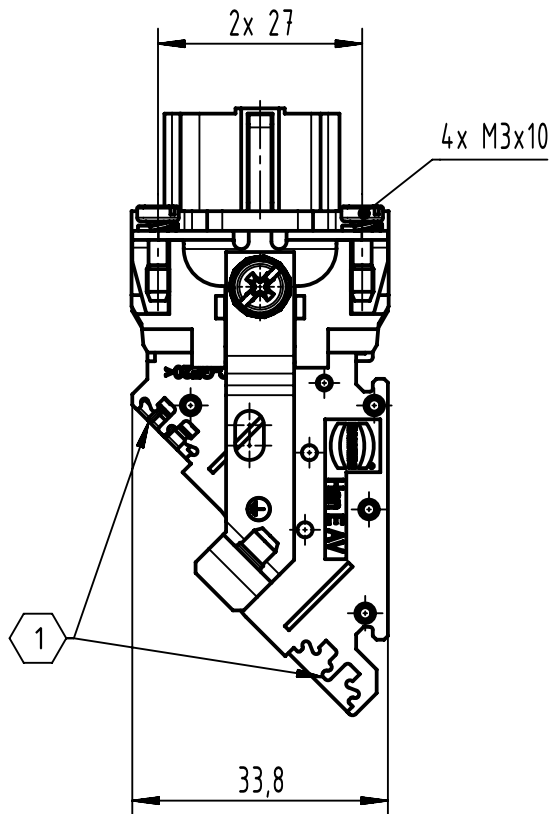
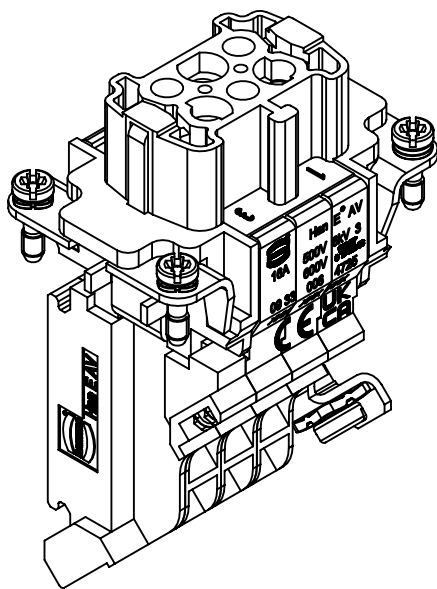
1 2 3 4 5 6

A

B

C

D



1 Slots for designation strips (max. 6 digits)

	All Dimensions in mm Original Size DIN A4		Scale 1:1	Free size tol.		Ref.	
						Sub.	
	All rights reserved		Created by LUPU	Inspected by 402602	Standardisation	Date 2022-11-25	State Final Release
	Department EL PD		Title Han E AV 06 Pos. F Insert Term. Block Le				Doc-Key / ECM-Nr. 100129925/UGD/006/E 500000231226
HARTING D-32339 Espelkamp		Type TB	Number 09 33 006 4725			Rev. E	Page 1/1