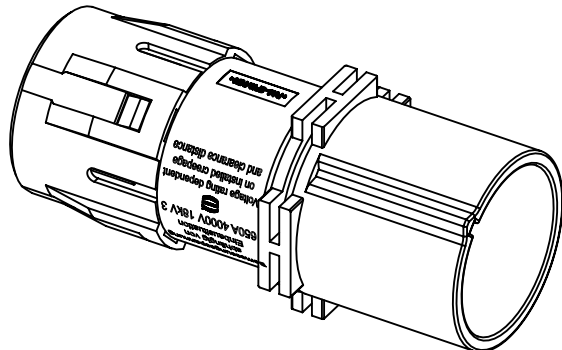


complete length when assembled app. 99,5

Bemessungsspannung
abhängig von
Einbausituation
650A 4000V 18kV 3
Voltage rating dependent
on installed creepage
and clearance distance



	All rights reserved Department EL PD	Created by SPRENB	Inspected by RIEPE	Standardisation SAP_WFRT	Date 2022-05-04	State Final Release	
		Title Han 1 HC-M-TC650				Doc-Key / ECM-Nr. 100503237/UGD/002/E 500000217025	
HARTING D-32339 Espelkamp		Type TB	Number 09 11 001 3012			Rev. E	Page 1/1