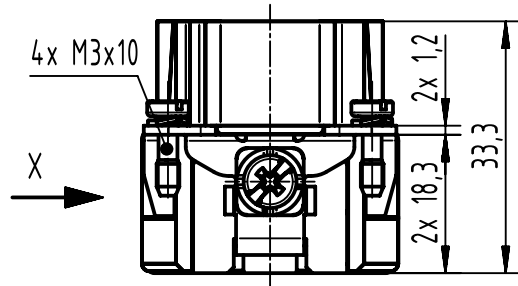
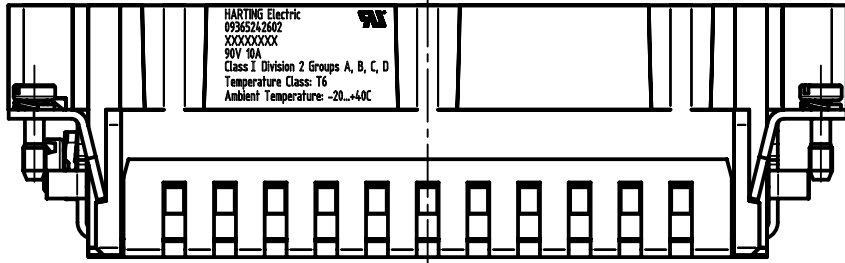
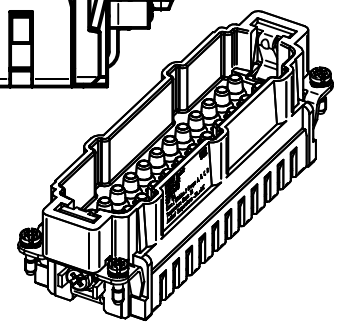
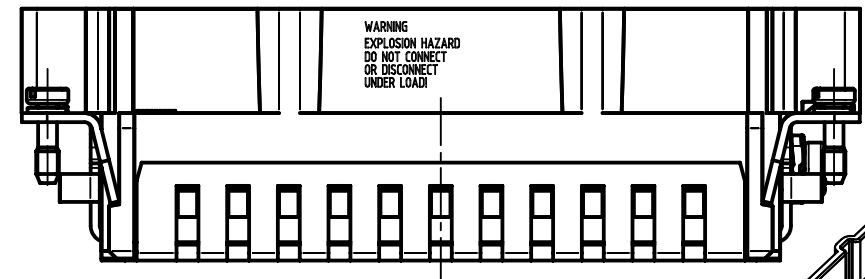
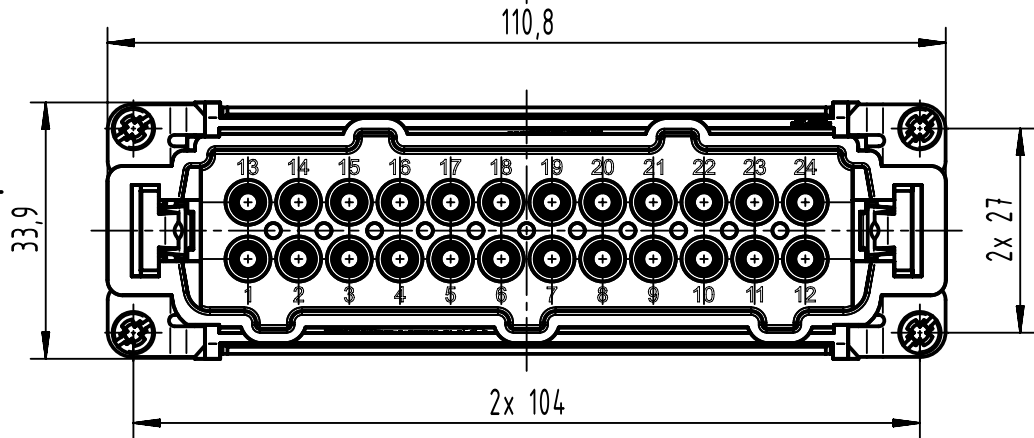


FOR USE WITH HAN 24E CRIMP: AWG 14, 16
 FOR USE WITH Cable Type:
 PLTC, PLTC-ER, ITC, ITC-ER, MC, MV, AND TC
 FOR USE IN CLASS I, DIVISION 2 GROUPS A, B, C AND D
 HAZARDOUS LOCATIONS OR UNCLASSIFIED LOCATIONS

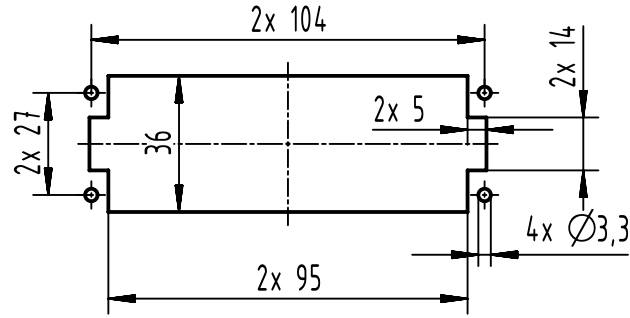


WARNING
 EXPLOSION HAZARD
 DO NOT CONNECT
 OR DISCONNECT
 UNDER LOAD!

THE INSTALLATION MUST BE IN ACCORDANCE WITH THE ASSOCIATED LOCATION RESTRICTIONS OF THE NATIONAL ELECTRIC CODE OR CANADIAN ELECTRICAL CODE AS APPLICABLE, INCLUDING ISSUES SUCH AS THE ROUTING, SUPPORT AND LENGTH OF THE INVOLVED CORD OR CABLE.



panel cut out (1:2)



	All Dimensions in mm Original Size DIN A4		Scale 1:1	Free size tol.	Ref.
	All rights reserved Department EL PD		Created by HELLMANN	Inspected by SCHNIEDER	Standardisation
HARTING D-32339 Espelkamp			Title Han 24Ex UL-M-c		Date 2023-01-24
			Type TB		State Final Release
			Number 09 36 524 2602		Doc-Key / ECM-Nr. 100669671/UGD/011/G 500000235316
					Rev. G
					Page 1/1