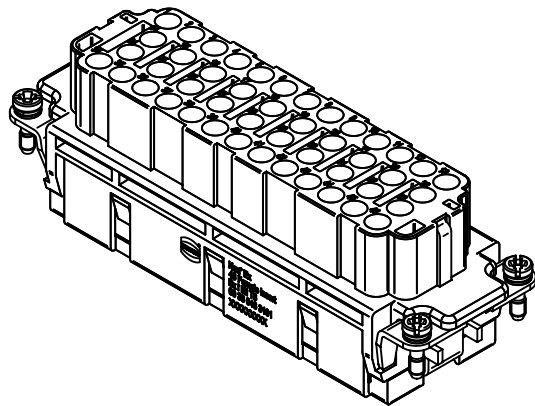
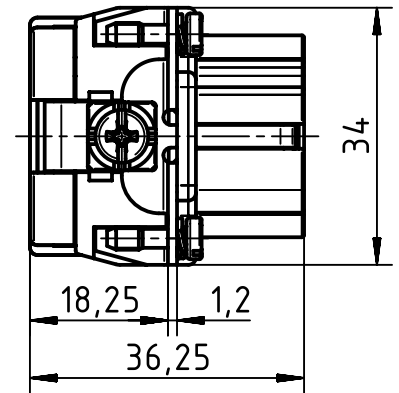
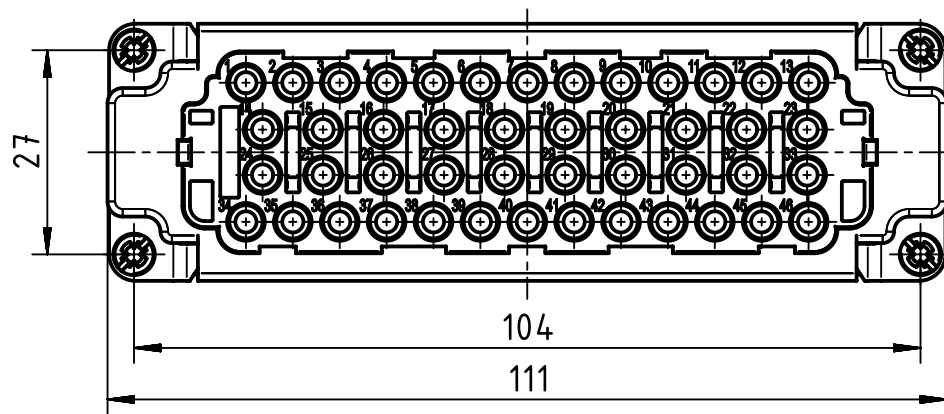
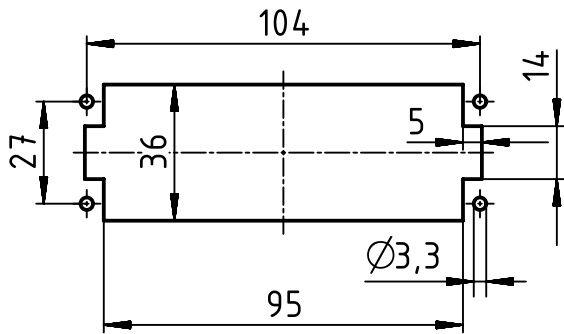



panel cut out (1:2)



	All rights reserved Department EL PD - DE HARTING Electric GmbH & Co. KG D-32339 Espelkamp	All Dimensions in mm Original Size DIN A4		Scale 1:1	Free size tol.		Ref.
		Created by HOLLERT	Inspected by RIEPE	Standardisation SCHMIDTM	Date 2015-05-22	State Final Release	
			Title Han 46Ex-F-c			Doc-Key / ECM-Nr. 100621135/UGD/001/A 500000084854	
			Type TB	Number 09 36 046 3101		Rev. A	Page 1/1