

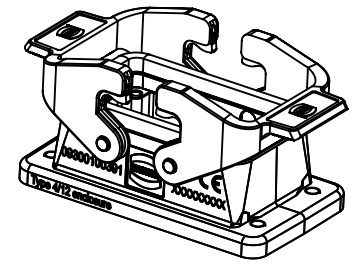
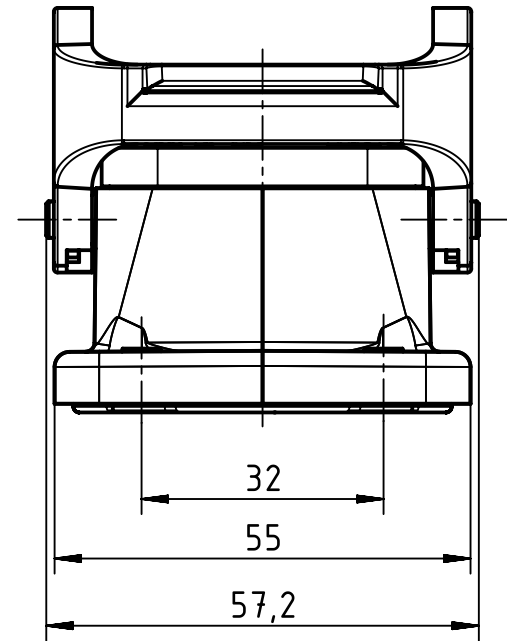
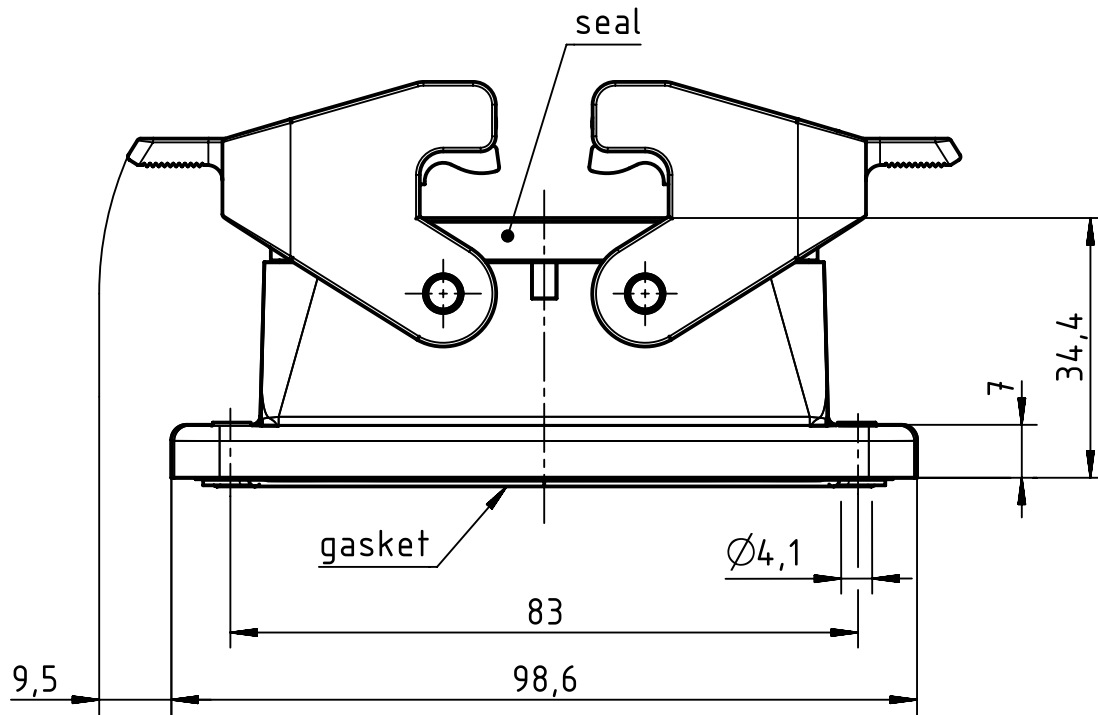
1 2 3 4 5 6

A

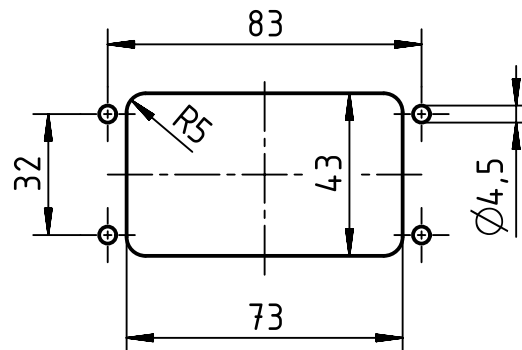
B


C

D



panel cut out (1:2)



	All rights reserved		Created by WENE		Inspected by LUOK		Standardisation RUETERA		Date 2020-05-22		State Final Release	
	Department EL PD		Title Han 10B HBM Rear-Fit DL		Number 09 30 010 0391		Doc-Key / ECM-Nr. 100772853/UGD/001/C 500000173246		Rev. C		Page 1/1	
HARTING Electric GmbH & Co. KG D-32339 Espelkamp			All Dimensions in mm Original Size DIN A4		Scale 1:1		Free size tol.		Ref. Sub.			