

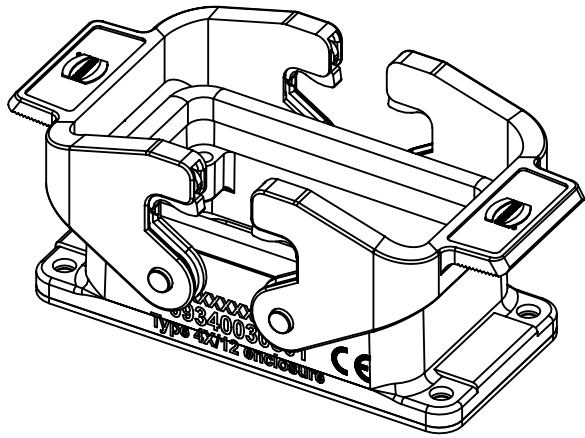
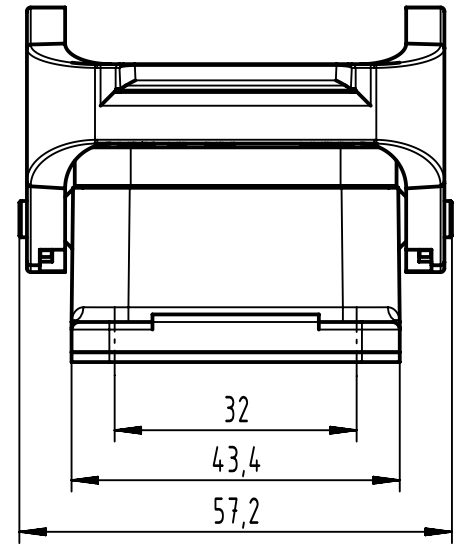
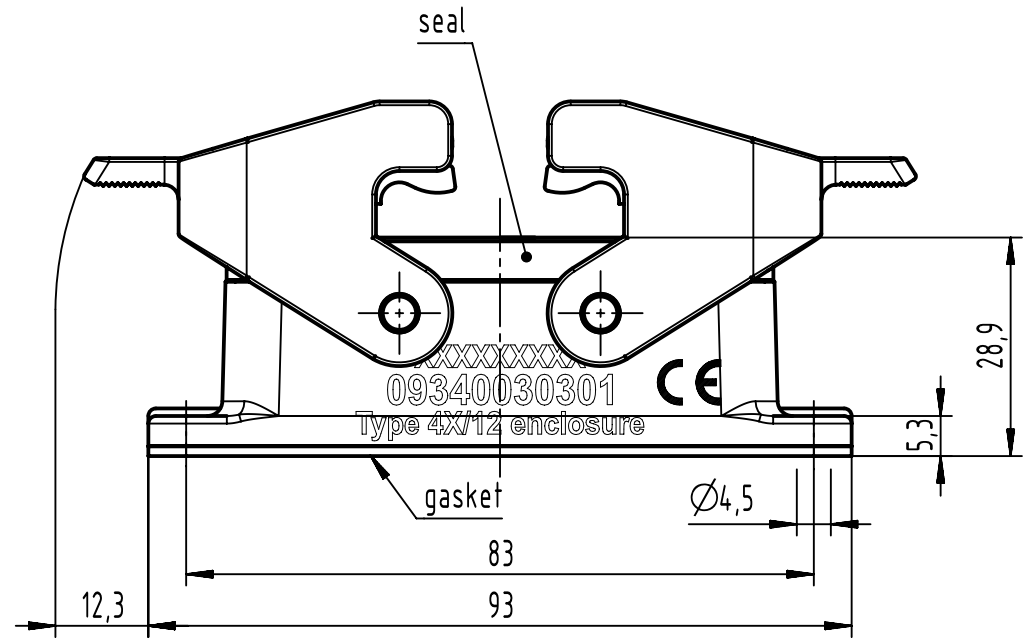
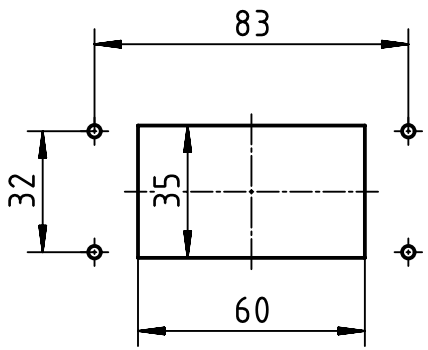
A

B

C

D

panel cut out (1:2)



	All rights reserved Department EL PD HARTING Electric GmbH & Co. KG D-32339 Espelkamp	All Dimensions in mm Original Size DIN A4		Scale 1:1	Free size tol.	Ref. Sub.	
		Created by HOLLERT	Inspected by SUNDERMEIER	Standardisation 302077	Date 2020-11-05	State Final Release	Doc-Key / ECM-Nr. 100181468/UGD/004/C 500000182296
Title Han 3HvE-HBM-Double lever				Type TB	Number 09 34 003 0301	Rev. C	Page 1/1