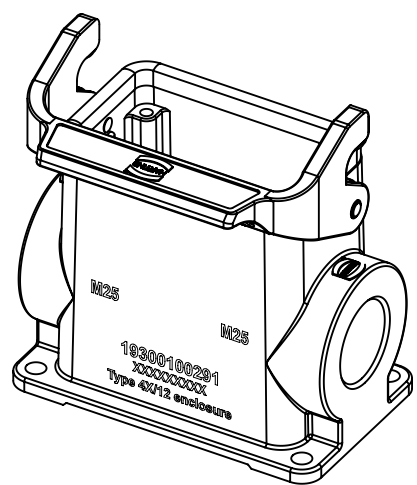
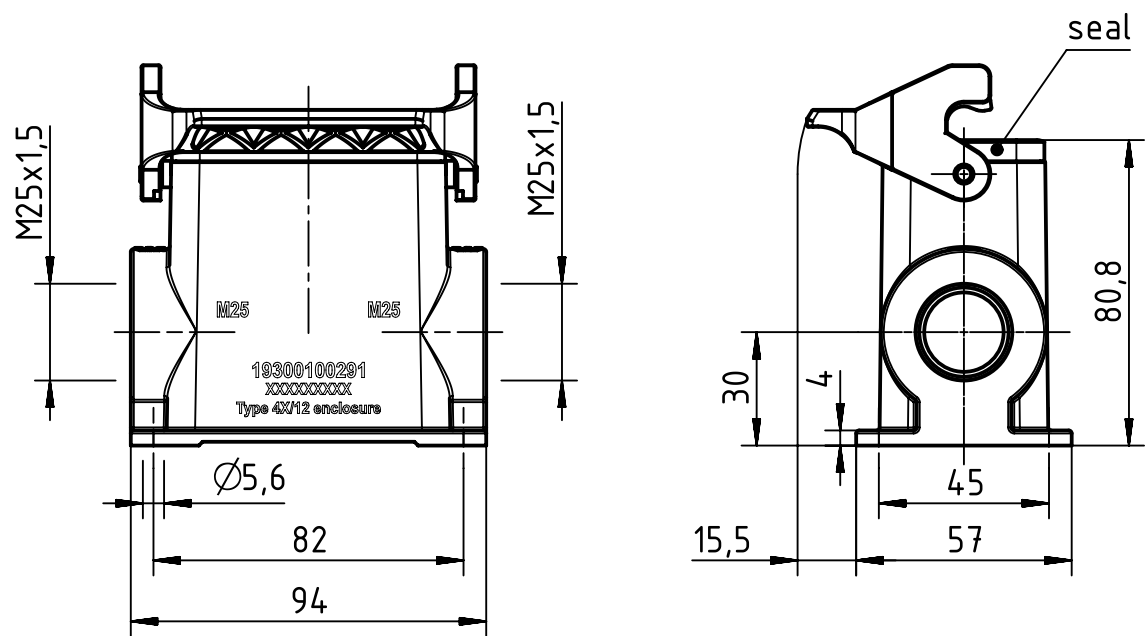


A

B

C

D



	All rights reserved Department EL PD	All Dimensions in mm Original Size DIN A4		Scale 1:2	Free size tol.	Ref. Sub.
		Created by SPRENB	Inspected by GERB	Standardisation GARSKE	Date 2019-12-04	State Final Release
HARTING Electric GmbH & Co. KG D-32339 Espelkamp		Title Han B Base Surface HC 1 Lever 2 x M25			Doc-Key / ECM-Nr. 100209250/UGD/004/C 500000161045	
		Type TB	Number 19 30 010 0291		Rev. C	Page 1/1