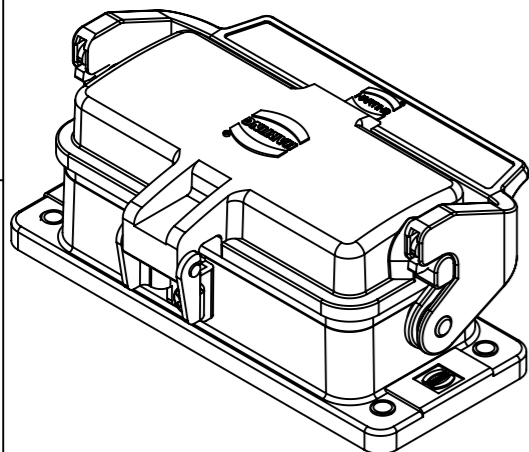
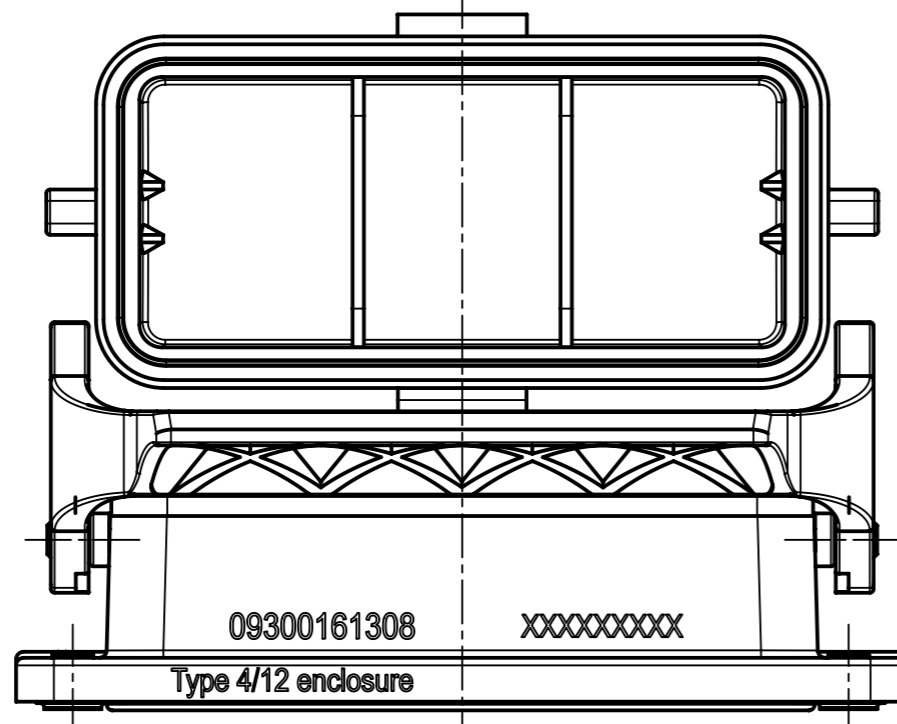
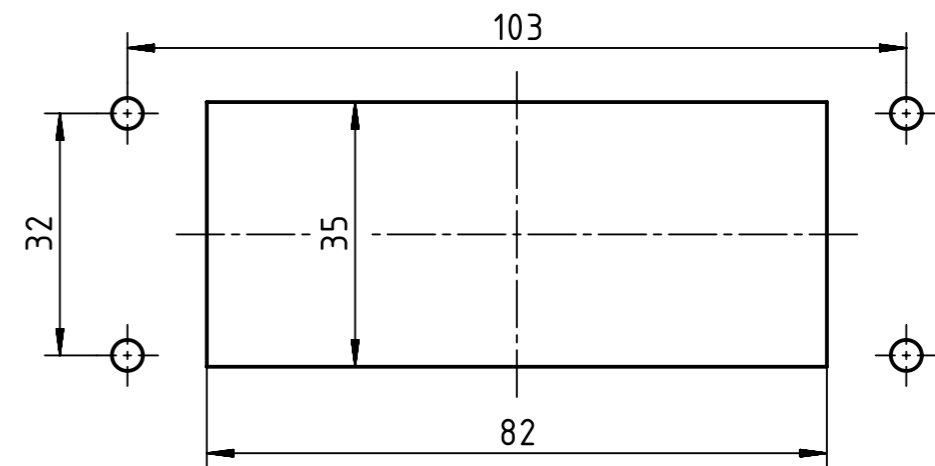


Panel cut out



	All rights reserved	Created by LONGL	Inspected by WENE	Standardisation TIEMANNA	Date 2017-05-31	State Final Release	Ref. Sub.
	Department EL PD - DE	Title Han 16B IP67 housing with single lever and plastic cover				Doc-Key / ECM-Nr. 100604573/UGD/001/C 500000120072	
HARTING Electric GmbH & Co. KG D-32339 Espelkamp		Type TB	Number 09 30 016 1308			Rev. C	Page 1/1