

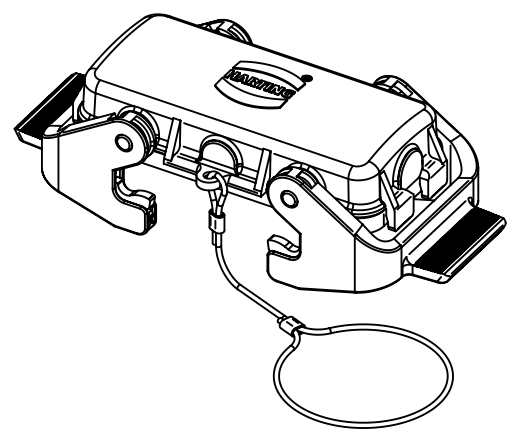
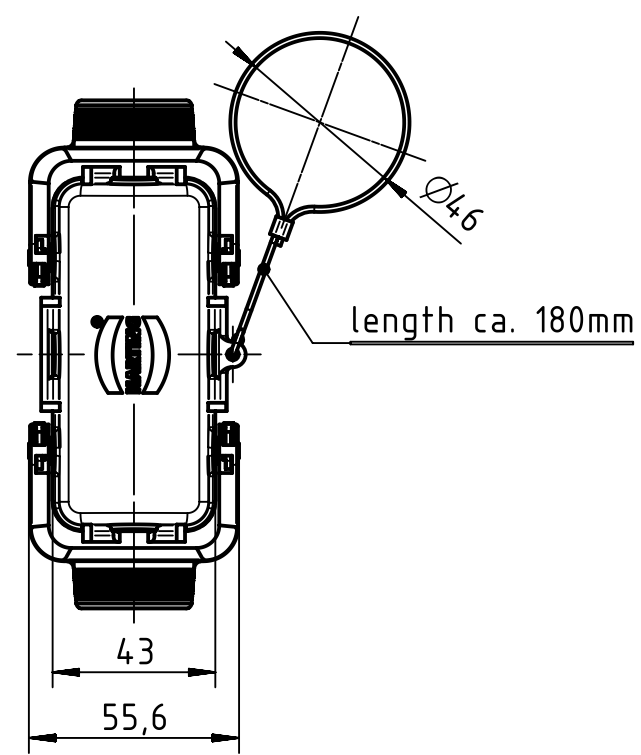
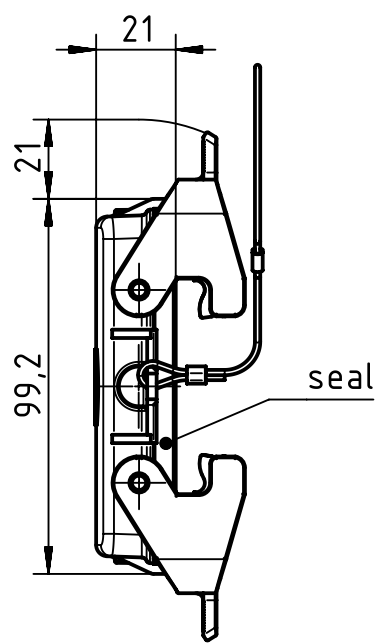
1 2 3 4 5 6

A

B

C

D



	All rights reserved Department EL PD - DE	Created by SPRENB		Inspected by BERGHORN		Standardisation TIEMANNA		Date 2013-08-30		State Final Release	
		Title Han B Protect Cover Die Cast (Easy hood)								Doc-Key / ECM-Nr. 100211740/UGD/004/A 500000064823	
HARTING Electric GmbH & Co. KG D-32339 Espelkamp		Type TB		Number 11 30 016 5422				Rev. A		Page 1/1	