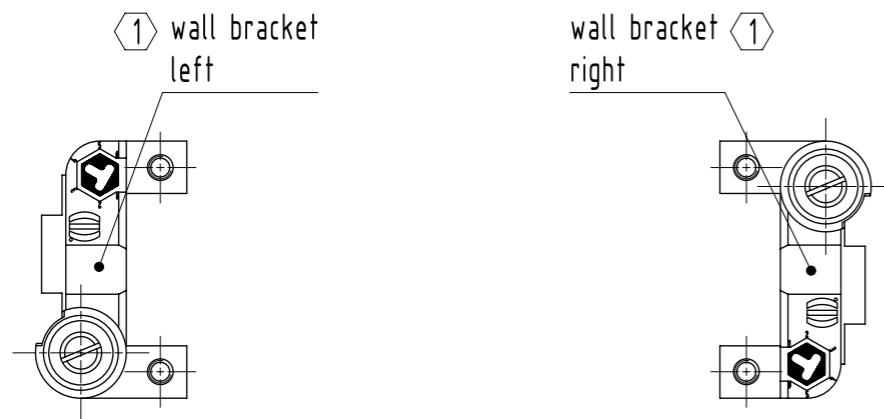
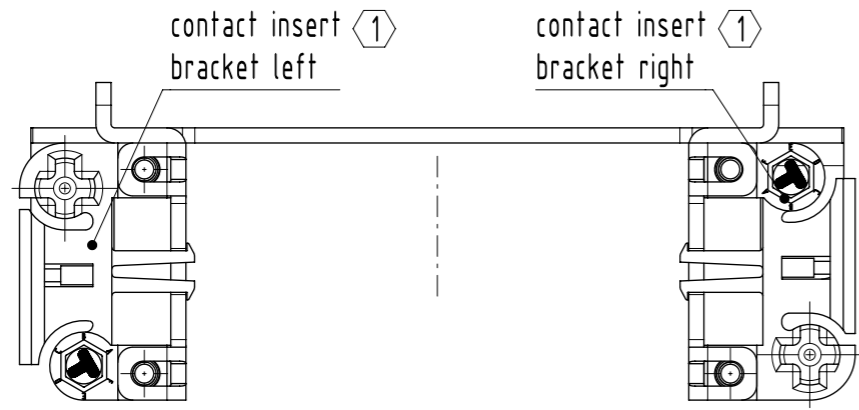


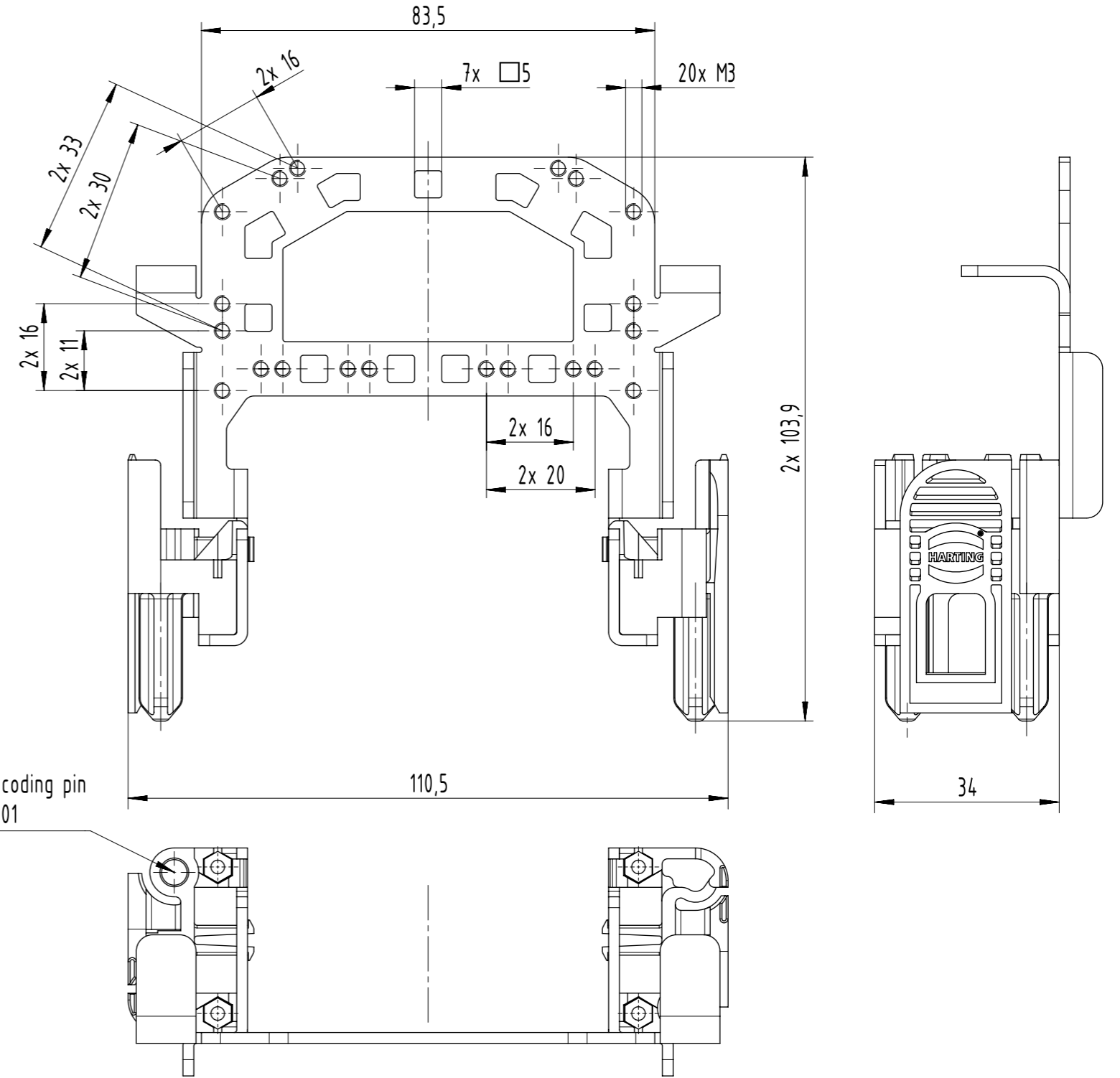
coding possibility No. 1



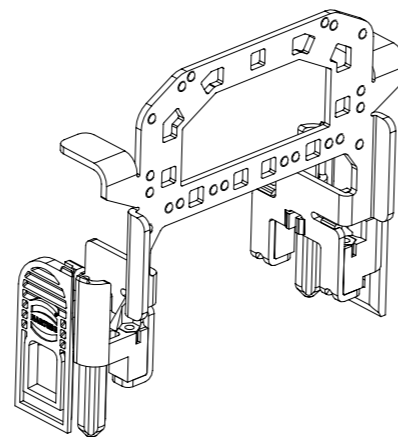
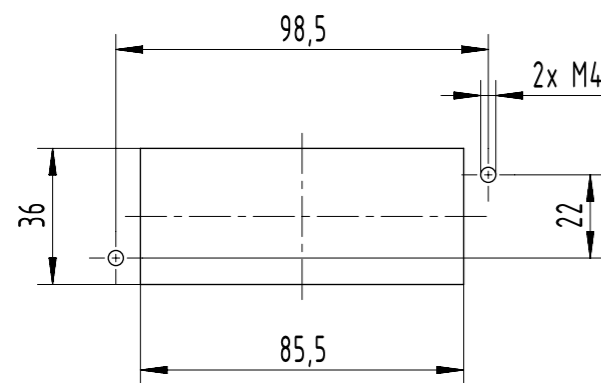
① are not included in the scope of delivery

Suitable wall brackets:  
09 00 000 5614  
09 00 000 5616

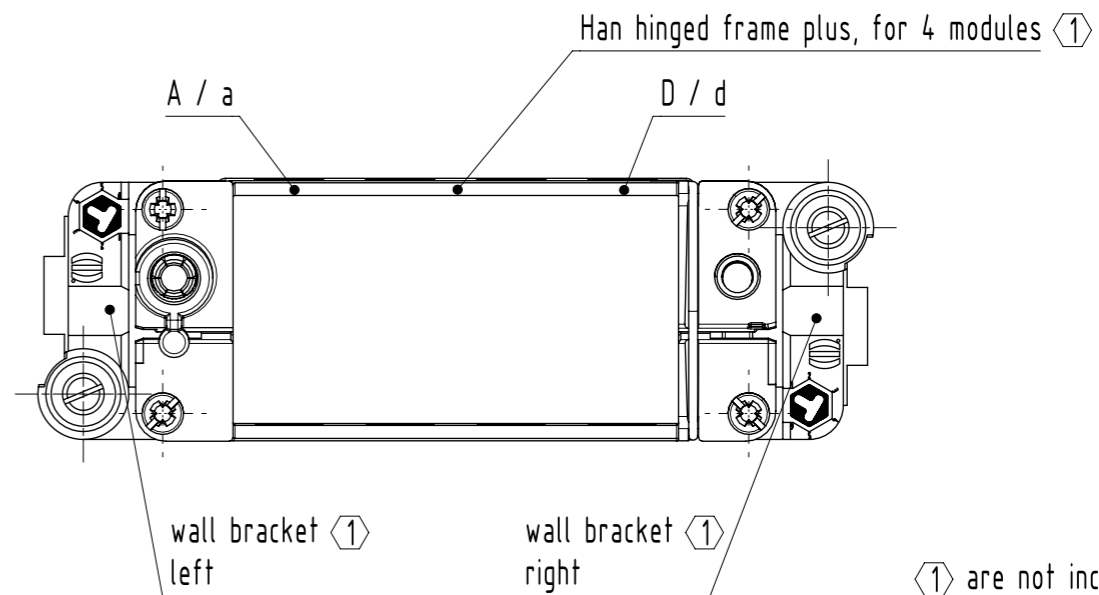
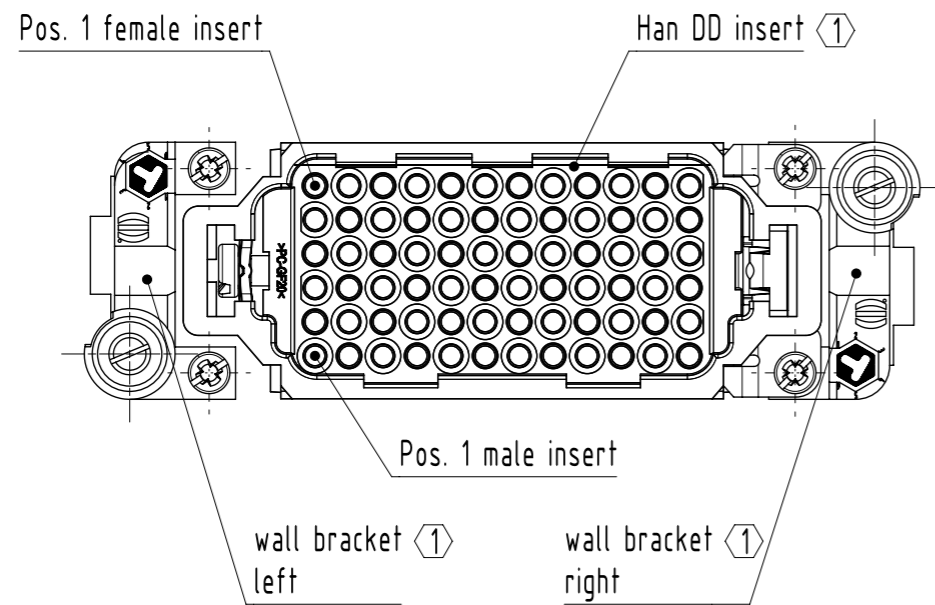
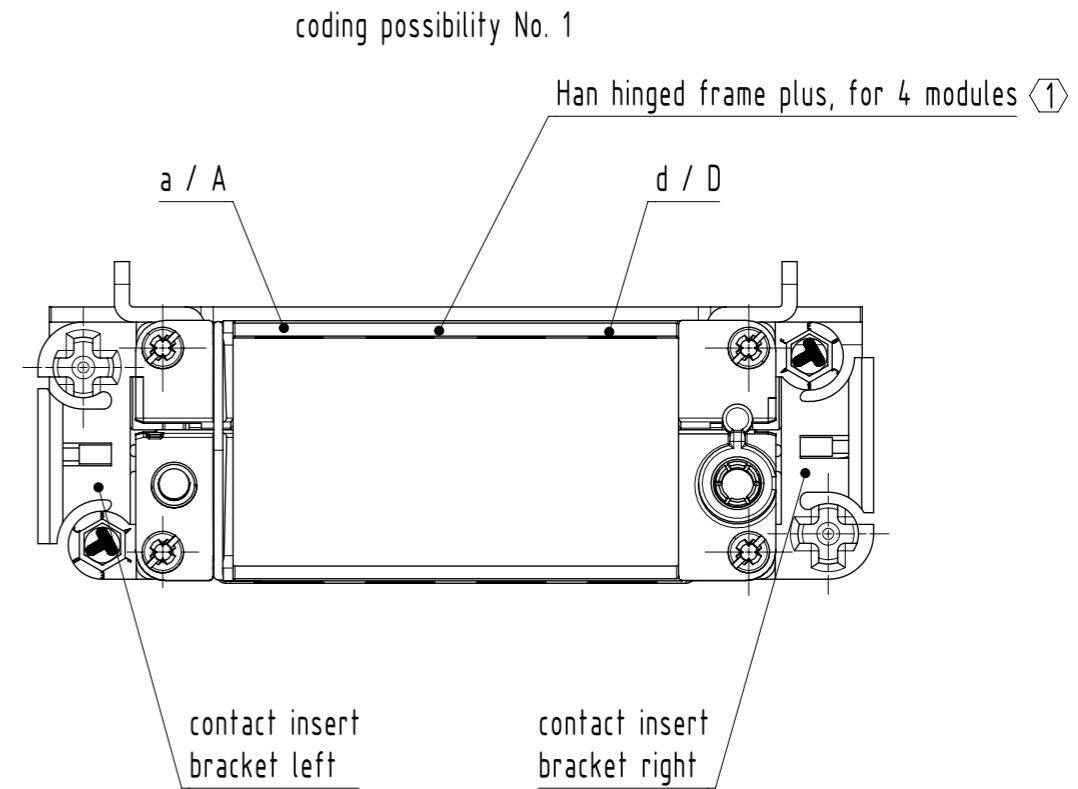
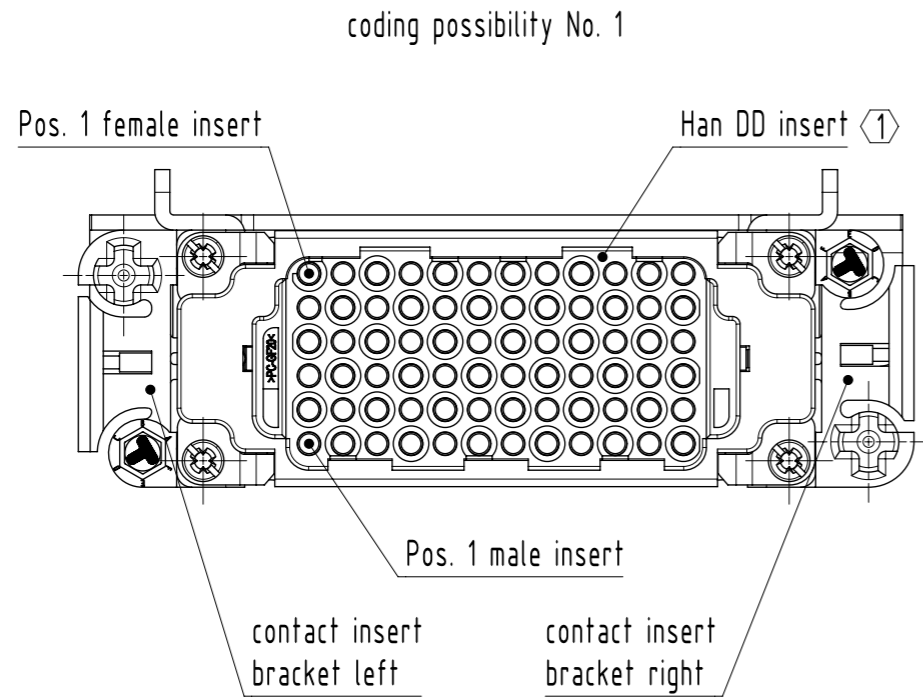
Position for coding pin  
09 12 000 9901



panel cut out (1:2)



	All Dimensions in mm Original Size DIN A3		Scale 1:1	Free size tol.		Ref.	
	All rights reserved Department EL PD		Created by 100887	Inspected by riepe	Standardisation	Date 10-Jul-2024	State 40 - Released
HARTING D-32339 Espelkamp		Title Contact insert bracket 16B (1PU=2pcs.)				Doc-Key / ECM-Nr. DS00203845	
		Type TB	Design Number DS00203845	SAP Mat. Number 09000165610		Rev. L	Page 1/4



(1) are not included in the scope of delivery

Suitable wall brackets:  
09 00 000 5614  
09 00 000 5616

	All Dimensions in mm Original Size DIN A3		Scale 1:1	Free size tol.		Ref. Sub.	
	All rights reserved Department EL PD		Created by 100887	Inspected by riepe	Standardisation	Date 10-Jul-2024	State 40 - Released
HARTING D-32339 Espelkamp		Title <b>Contact insert bracket 16B (1PU=2pcs.)</b>				Doc-Key / ECM-Nr. DS00203845	
		Type TB	Design Number DS00203845	SAP Mat. Number 09000165610		Rev. L	Page 2/4

	1	2	3	4	5	6			
A	No. 1	left	right	No. 7	left	right	No. 13	left	right
	contact insert bracket			contact insert bracket			contact insert bracket		
	wall bracket			wall bracket			wall bracket		
B	No. 2	left	right	No. 8	left	right	No. 14	left	right
	contact insert bracket			contact insert bracket			contact insert bracket		
	wall bracket			wall bracket			wall bracket		
C	No. 3	left	right	No. 9	left	right	No. 15	left	right
	contact insert bracket			contact insert bracket			contact insert bracket		
	wall bracket			wall bracket			wall bracket		
D	No. 4	left	right	No. 10	left	right	No. 16	left	right
	contact insert bracket			contact insert bracket			contact insert bracket		
	wall bracket			wall bracket			wall bracket		
E	No. 5	left	right	No. 11	left	right	No. 17	left	right
	contact insert bracket			contact insert bracket			contact insert bracket		
	wall bracket			wall bracket			wall bracket		
F	No. 6	left	right	No. 12	left	right	No. 18	left	right
	contact insert bracket			contact insert bracket			contact insert bracket		
	wall bracket			wall bracket			wall bracket		

In total 36 coding possibilities  
coding possibilities  
6 options on each side:

	All Dimensions in mm Original Size DIN A4		Scale 1:1	Free size tol.		Ref.		
			Created by 100887	Inspected by riepe	Standardisation	Date 10-Jul-2024	State 40 - Released	
All rights reserved Department EL PD		Title <b>Contact insert bracket 16B (1PU=2pcs.)</b>					Doc-Key / ECM-Nr. DS00203845	
HARTING D-32339 Espelkamp		Type TB	Design Number DS00203845		SAP Mat. Number 09000165610		Rev. L	Page 3/4

	1	2	3	4	5	6			
A	No. 19	left	right	No. 25	left	right	No. 31	left	right
	contact insert bracket			contact insert bracket			contact insert bracket		
	wall bracket			wall bracket			wall bracket		
B	No. 20	left	right	No. 26	left	right	No. 32	left	right
	contact insert bracket			contact insert bracket			contact insert bracket		
	wall bracket			wall bracket			wall bracket		
C	No. 21	left	right	No. 27	left	right	No. 33	left	right
	contact insert bracket			contact insert bracket			contact insert bracket		
	wall bracket			wall bracket			wall bracket		
D	No. 22	left	right	No. 28	left	right	No. 34	left	right
	contact insert bracket			contact insert bracket			contact insert bracket		
	wall bracket			wall bracket			wall bracket		
E	No. 23	left	right	No. 29	left	right	No. 35	left	right
	contact insert bracket			contact insert bracket			contact insert bracket		
	wall bracket			wall bracket			wall bracket		
F	No. 24	left	right	No. 30	left	right	No. 36	left	right
	contact insert bracket			contact insert bracket			contact insert bracket		
	wall bracket			wall bracket			wall bracket		

	All Dimensions in mm Original Size DIN A4		Scale 1:1	Free size tol.		Ref.		
						Sub.		
	All rights reserved Department EL PD		Created by 100887	Inspected by riepe	Standardisation	Date 10-Jul-2024	State 40 - Released	
			Title Contact insert bracket 16B (1PU=2pcs.)				Doc-Key / ECM-Nr. DS00203845	
HARTING D-32339 Espelkamp		Type TB	Design Number DS00203845		SAP Mat. Number 09000165610		Rev. L	Page 4/4