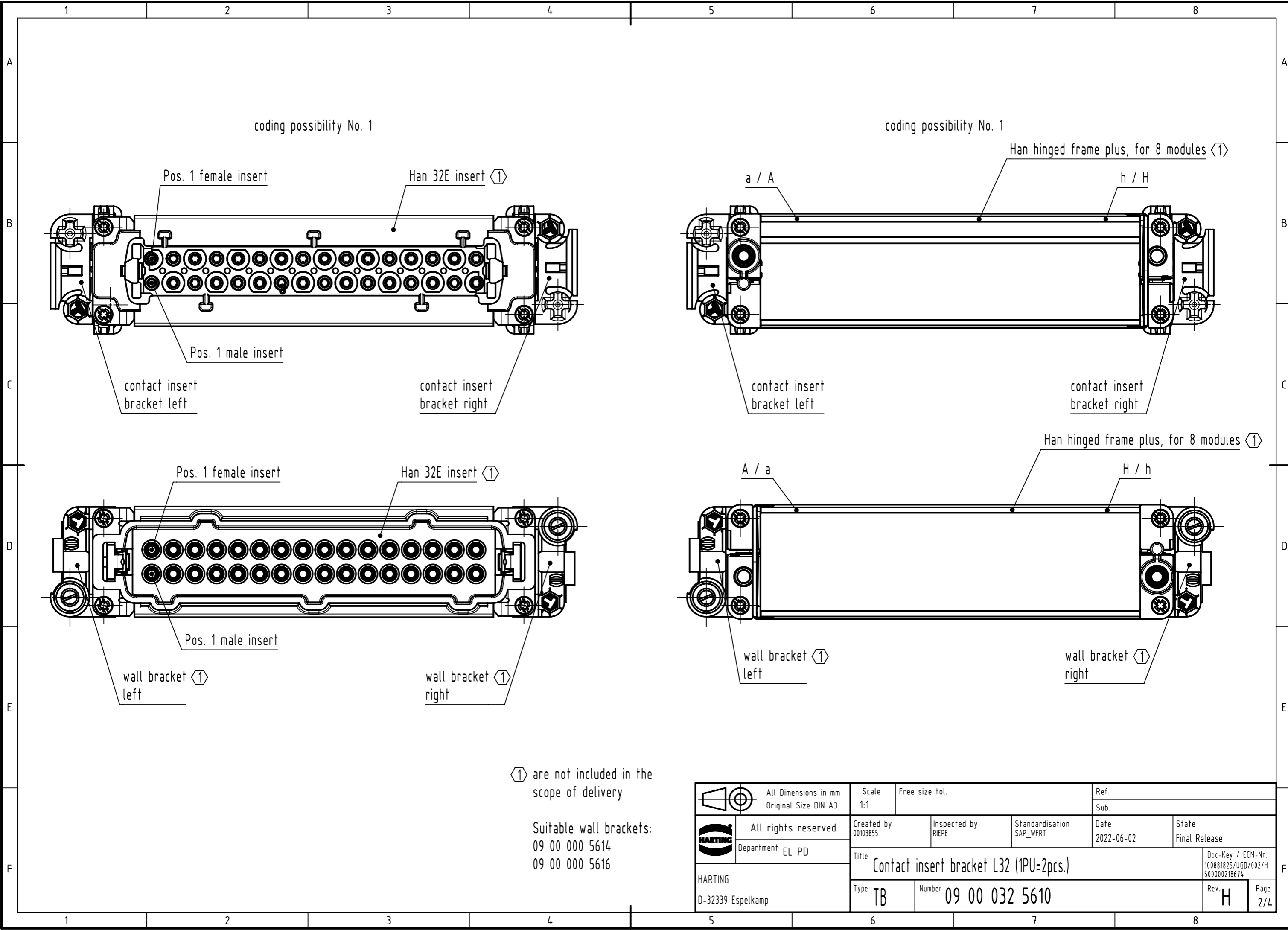


	All Dimensions in mm Original Size DIN A3		Scale 1:2	Free size tol.		Ref.	
	All rights reserved		Created by 00103855	Inspected by RIEPE	Standardisation SAP_WFRT	Date 2022-06-02	State Final Release
Department EL PD		Title Contact insert bracket L32 (1PU=2pcs.)				Doc-Key / ECM-Nr. 100881825/UGD/002/H 500000218674	
HARTING D-32339 Espelkamp		Type TB	Number 09 00 032 5610			Rev. H	Page 1/4



coding possibility No. 1

coding possibility No. 1

Han hinged frame plus, for 8 modules (1)

Han hinged frame plus, for 8 modules (1)

(1) are not included in the scope of delivery

Suitable wall brackets:
09 00 000 5614
09 00 000 5616

	All rights reserved	Created by 00103855	Inspected by RIEPE	Standardisation SAP_WFRT	Date 2022-06-02	State Final Release	Ref. Sub.
	Department EL PD	Title Contact insert bracket L32 (1PU=2pcs.)				Doc-Key / ECM-Nr. 100881825/UGD/002/H 500000218674	
HARTING D-32339 Espelkamp	Type TB	Number 09 00 032 5610			Rev. H	Page 2/4	

A

B

C

D

No. 1	left	right	No. 7	left	right	No. 13	left	right
contact insert bracket			contact insert bracket			contact insert bracket		
wall bracket			wall bracket			wall bracket		
No. 2	left	right	No. 8	left	right	No. 14	left	right
contact insert bracket			contact insert bracket			contact insert bracket		
wall bracket			wall bracket			wall bracket		
No. 3	left	right	No. 9	left	right	No. 15	left	right
contact insert bracket			contact insert bracket			contact insert bracket		
wall bracket			wall bracket			wall bracket		
No. 4	left	right	No. 10	left	right	No. 16	left	right
contact insert bracket			contact insert bracket			contact insert bracket		
wall bracket			wall bracket			wall bracket		
No. 5	left	right	No. 11	left	right	No. 17	left	right
contact insert bracket			contact insert bracket			contact insert bracket		
wall bracket			wall bracket			wall bracket		
No. 6	left	right	No. 12	left	right	No. 18	left	right
contact insert bracket			contact insert bracket			contact insert bracket		
wall bracket			wall bracket			wall bracket		

In total 36 coding possibilities
 coding possibilities
 6 options on each side:

	All Dimensions in mm Original Size DIN A4		Scale 1:1	Free size tol.		Ref.		
			Created by 00103855	Inspected by RIEPE	Standardisation SAP_WFRT	Date 2022-06-02	State Final Release	
All rights reserved Department EL PD		Title Contact insert bracket L32 (1PU=2pcs.)					Doc-Key / ECM-Nr. 100881825/UGD/002/H 500000218674	
HARTING D-32339 Espelkamp		Type TB	Number 09 00 032 5610			Rev. H	Page 3/4	

