

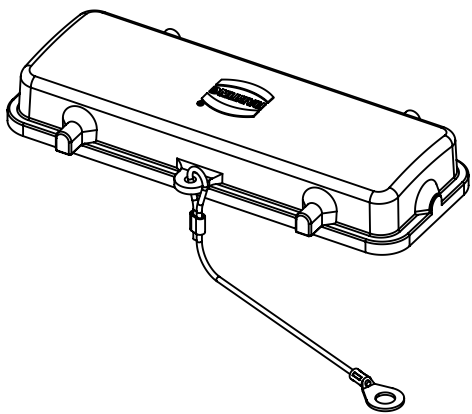
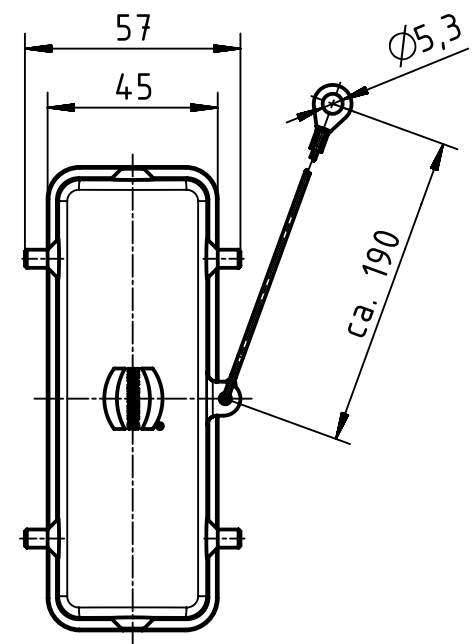
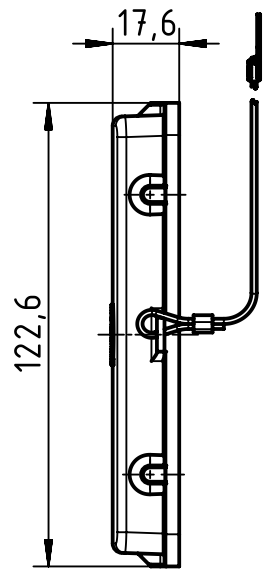
1 2 3 4 5 6


A

B

C

D



	All Dimensions in mm Original Size DIN A4		Scale 1:2	Free size tol.		Ref.	
	All rights reserved Department EL PD		Created by RULLKOETTER	Inspected by SUNDERMEIER	Standardisation RUETERA	Date 2020-02-12	State Final Release
HARTING Electric GmbH & Co. KG D-32339 Espelkamp			Title Han 24B-AK with stainless-steel cord			Doc-Key / ECM-Nr. 100653360/UGD/008/C 500000159695	
			Type TB	Number 09 30 024 5417		Rev. C	Page 1/1