

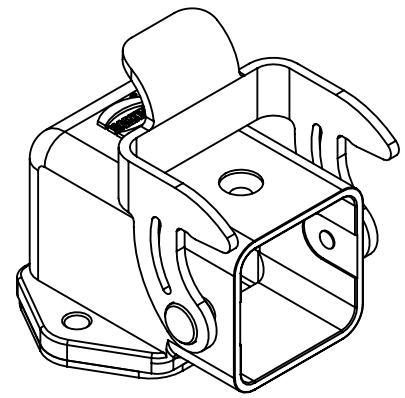
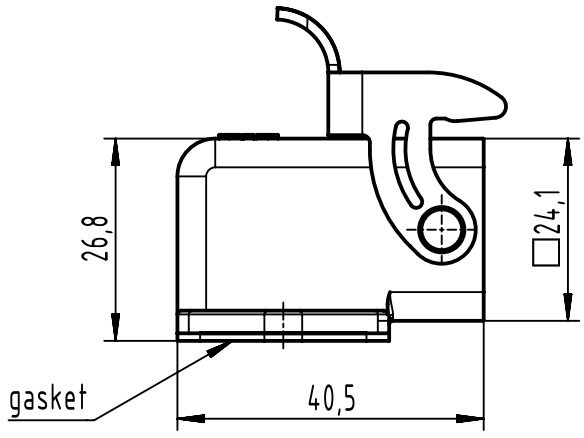
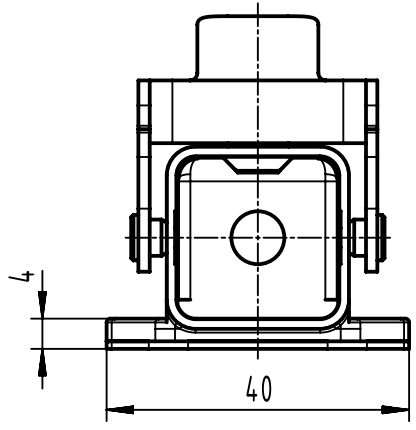
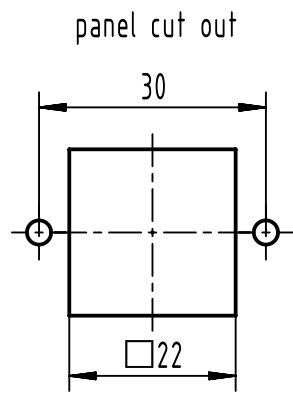
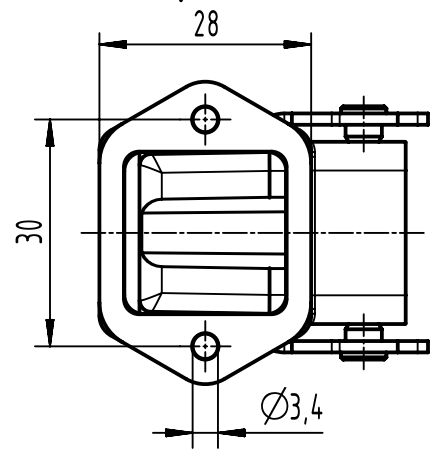
1 2 3 4 5 6


A

B

C

D



	All rights reserved Department EL PD	Created by HELLMANN	Inspected by RIEPE	Standardisation	Date 2021-07-28	State Final Release	
		Title Han 3A-HBMA-SL-red				Doc-Key / ECM-Nr. 100965931/UGD/002/B 500000200233	
HARTING D-32339 Espelkamp		Type TB	Number 09 20 003 0804			Rev. B	Page 1/1